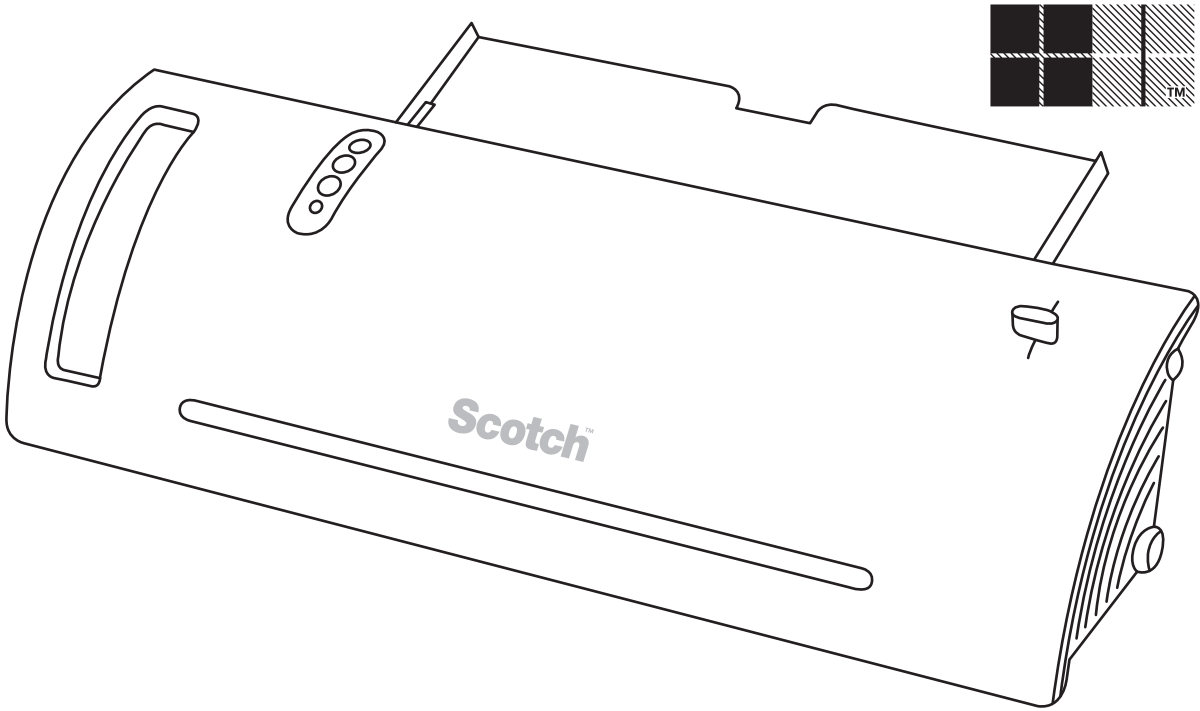




TL902 THERMAL LAMINATOR

Important! Please read entire enclosed instruction booklet before beginning your lamination project.

SPECIFICATION OF PARTS FUNCTION



SPECIFICATIONS

Size	15.5 x 6.75 x 3.75
Laminating Speed	11.8 in/Min
Nominal Weight	2.5 lb.
Number of Rollers	2
Entry Width	9.37 in.
Power Requirements	120VAC 60Hz 400W / 2.5A
Maximum Thickness	0.015 in.
Ready Time	5 to 7 minutes



INTENDED USE:

This laminator is designed for use with thermal laminating pouches for paper or flat paper-like items between two film layers. It is intended for home, home office or small office, and school use.

NOT FOR USE:

LAMINATING MACHINE IS NOT INTENDED FOR USE BY CHILDREN. Currency, Social Security cards, thermal papers, stamps, credit cards, cards with a magnetic strip and other similar items. Also, do not use sharp objects, heat sensitive materials, historically significant papers or one-of-a-kind items. Use in any other application has not been evaluated by 3M and may lead to an unsafe condition.

WARNING

To reduce the risks associated with hazardous voltage and fire which, if not avoided, could result in serious injury or death:

- Before using the laminator, plug it into an electrical outlet that is near the laminator and easily accessible.
- Only connect laminator to a grounded 120V outlet.
- Do not use this machine with a voltage or outlet converter.
- Do not operate the laminating machine if it has a damaged power cord or plug, if it is not working properly, or if it has been dropped or damaged.
- Keep power cord away from hot surfaces.
- Do not use laminator in wet environments. The laminator is intended for indoor use only.
- Unplug the laminator from electrical outlet before storage or when not in use.
- Do not pull on the cord to unplug the laminator. Unplug the power cord by pulling straight out on the plug.
- Do not remove the outer housing or attempt to service or repair the machine yourself. The laminator contains no user serviceable parts.

WARNING

To reduce the risks associated with fire and hot surfaces which, if not avoided, could result in serious injury or death:

- Do not place laminating film or any items on top of laminator.

CAUTION

To reduce the risks associated with hot surfaces which, if not avoided, could result in minor or moderate injury:

- Laminating machine is not intended for use by children.
- Place unit on a flat, secure, hard, stable surface.
- Do not cover the vent holes on the bottom or sides of the laminator while the power is on.
- The laminating machine and laminated items become hot during use.
- Allow laminated items to cool before handling.
- Do not leave the laminator unattended while turned on or in use.
- Unplug the laminator from electrical outlet before storage or when not in use.
- Allow the laminator to cool before moving or storing.

CAUTION

To reduce the risks associated with environmental contamination:

- Dispose of electronic waste in accordance with applicable local and government regulations.

NOTICE

To prevent damage to the device and laminated items:

- Use laminator only as stated in the intended use statement.
- This product is designed and intended to be used in the US and Canada only. Use outside the US and Canada has not been evaluated by 3M. Product may not meet regulatory requirements outside of US and Canada.

Explanation of Signal Word Consequences:

WARNING: Indicates a hazardous situation which, if not avoided, could result in serious injury or death

CAUTION: Indicates a hazardous situation which, if not avoided, could result in a minor or moderate injury or property damage

NOTICE: Indicates a situation which, if not avoided, could result in property damage

FCC Language:

Supplier's Declaration of Conformity for the following 3M Company manufactured product(s):

Trade Name: Scotch™ Thermal Laminator

Model(s): TL902

We hereby declare that this product(s) complies with Part 15 of the FCC Rules. Operation is subject to the following two conditions:

1. This device may not cause harmful interference, and
2. This device must accept any interference received, including interference that may cause undesired operation

Note: This equipment has been tested and found to comply with the limits for a Class B digital device, pursuant to part 15 of the FCC Rules. These limits are designed to provide reasonable protection against harmful interference in a residential installation. This equipment generates, uses and can radiate radio frequency energy and, if not installed and used in accordance with the instructions, may cause harmful interference to radio communications. However, there is no guarantee that interference will not occur in a particular installation. If this equipment does cause harmful interference to radio or television reception, which can be determined by turning the equipment off and on, the user is encouraged to try to correct the interference by one or more of the following measures:

- Reorient or relocate the receiving antenna.
- Increase the separation between the equipment and receiver.
- Connect the equipment into an outlet on a circuit different from that to which the receiver is connected.
- Consult the dealer or an experienced radio/TV technician for help.

Modifications to this device shall not be made without the written consent of 3M Company.

Unauthorized modifications may void the authority granted under Federal Communication Rules permitting the operation of this device.

Responsible Party - US Contact information:

For more information or help with your

Scotch™ Thermal Laminator, call the 3M Help Line:

1-800-772-4337

For project ideas and more, visit us at:

www.scotchbrand.com/laminating

3M, Stationery and Office Supplies Division

3M Center, St. Paul, MN 55144-1000

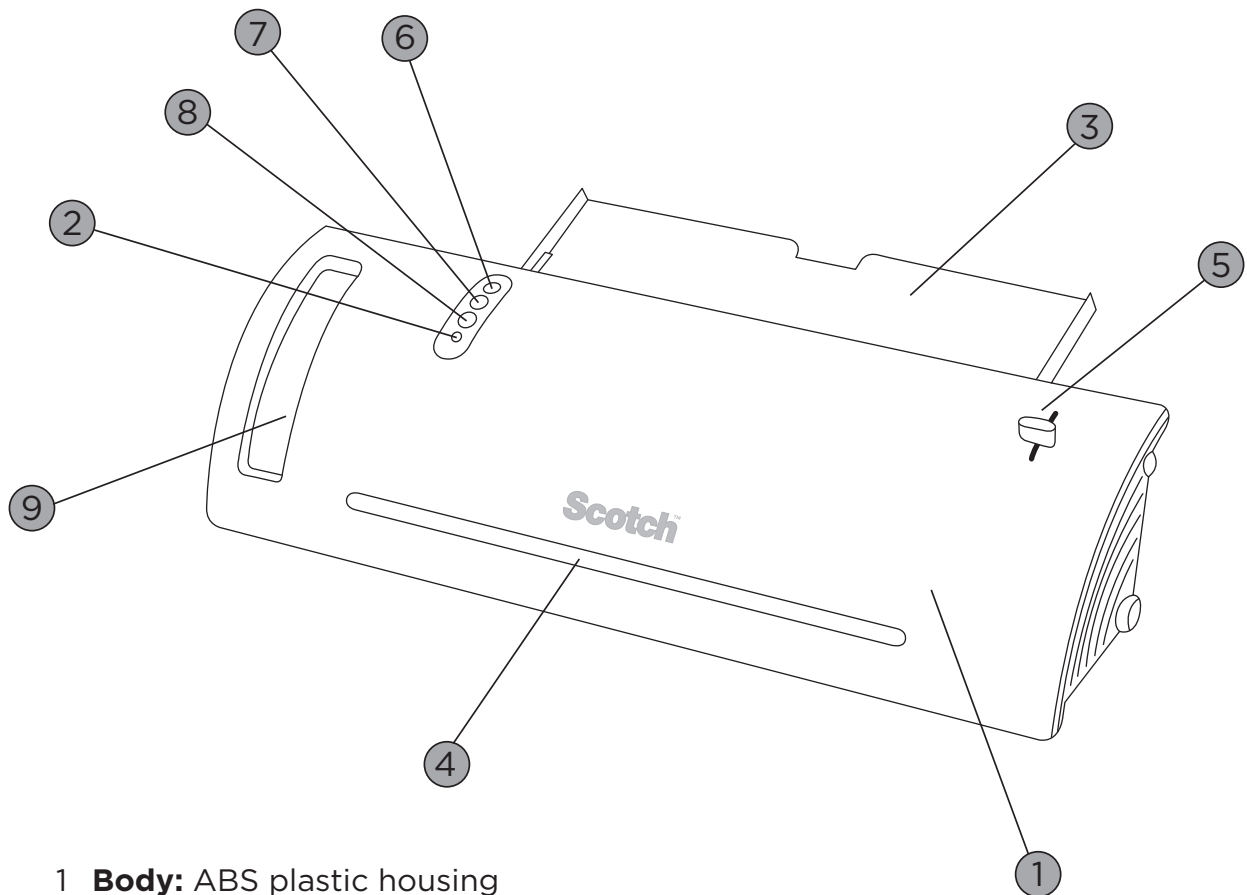
Care and Maintenance:

- Unplug the laminator and wait for it to cool down before cleaning. Wipe the exterior with a dry cloth to remove dust.
- DO NOT DROP machine or otherwise subject it to impact.
- Store laminator in a cool, dry location.

⚠ WARNING

To reduce the risks associated with hazardous voltage and fire which, if not avoided, could result in serious injury or death:

- Unplug the laminator from electrical outlet before storage or when not in use.
- Do not remove the outer housing or attempt to service or repair the machine yourself. The laminator contains no user serviceable parts.



- 1 **Body:** ABS plastic housing
- 2 **Ready Indication Light**
- 3 **Input Tray:** The entrance for the object to be laminated
- 4 **Outlet:** The exit for laminated object
- 5 **Jam Release Lever**
- 6 **On/Off Button:** Button glows red when turned on
- 7 **3 Mil Heat Setting**
- 8 **5 Mil Heat Setting**
- 9 **Carrying Handle**

OPERATING INSTRUCTIONS

Step 1: PREP

Make sure your machine is warm and ready to go.

- Place the laminator on a flat, secure, stable surface
- The on/off button is located on the top of the machine
- Choose your pouch setting by pushing either 3 mil or 5 mil buttons depending on the thickness of the pouch you are working with
- The warm-up time for your machine is 4-5 minutes, the machine is warm enough to start laminating once the ready light illuminates

Step 2: PLACE

Place your project inside the laminating pouch

- Center your item(s) inside the pouch checking that you leave 1/8" laminate margin around the edges on each side for best sealing results
- Tip: trim your project AFTER lamination

Step 3: INSERT

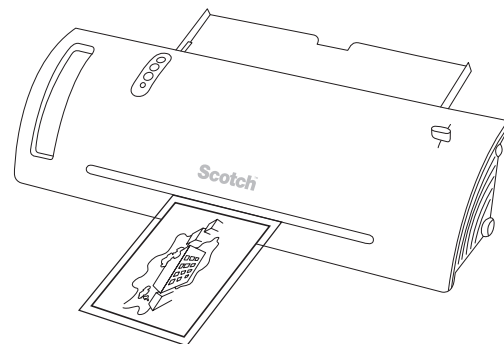
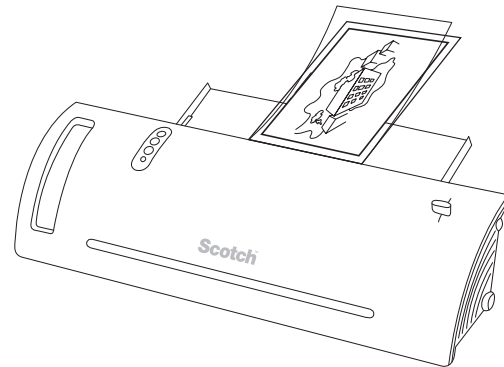
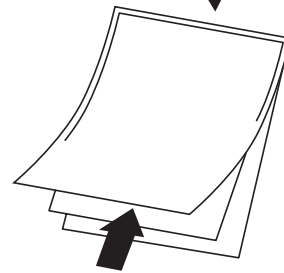
Place the **sealed end** into the machine first with the open end following

- Check to make sure the pouch lines up to the opening to prevent uneven or angled feed through
- Remove any objects that could get in the way of your project as it exits the machine

Step 4: SEAL

- The laminated item will automatically exit the outlet of the machine. Do not pull the pouch through the laminator.
- If the pouch does not feed correctly or jams, push the pouch reverse lever located on top panel to reverse the pouch back out of the laminator.
- Remove the pouch after it has stopped moving and allow to cool on a flat surface. Use caution, your project may be hot when exiting the machine.
- It may be necessary to laminate thicker items twice to completely seal the pouch

Sealed Edge



When finished press the power button to turn off the laminator.

Limited Warranty This product will be free from defects in material and manufacture for a period of one year from the date of purchase. User is responsible for determining whether the product is fit for a particular purpose and suitable for user's application. If this 3M product is defective within the warranty period stated above, your exclusive remedy and 3M's sole obligation shall be, at 3M's option, to replace or repair the 3M product or refund the purchase price of the 3M product. This warranty does not cover normal wear and tear, or damage resulting from accident, misuse, alteration or lack of reasonable care.

This warranty gives you specific legal rights, and you may have other rights which may vary from state to state, country to country. To obtain warranty service, contact 3M at 1 800 328 6276.

Limitation of Liability 3M will not be liable for any loss or damage arising from this 3M product, whether direct, indirect, special, incidental or consequential, regardless of the legal theory asserted, including warranty, contract, negligence or strict liability. Some states and countries do not allow the exclusion or limitation of incidental or consequential damages, so the above limitation or exclusion may not apply to you.

For more information or help with your Scotch™ Thermal Laminator, call the 3M Help Line:

1-800-772-4337

For project ideas and more, visit us at:

www.scotchbrand.com/laminating

3M, Stationery and Office Supplies Division

3M Center

St. Paul, MN 55144-1000



www.ScotchBrand.com

© 2020, 3M.

All rights reserved.

Made in China for 3M.

34-8725-4659-2

70-0052-6644-3