

For premium quality lamination, use Scotch™ Brand Thermal Laminating Pouches. Look for them in these convenient sizes:



TP5900-20
Thermal Pouches
For items up to 4" x 6"
20 Pack, 5 mil



TP5902-20
Thermal Pouches
For items up to 3.5" x 5"
20 Pack, 5 mil



TP5903-20
Thermal Pouches
For items up to 5" x 7"
20 Pack, 5 mil



TP5851-20
Thermal Pouches
For Business/I.D. Cards
20 Pack, 5 mil



TP5852-10
Thermal Pouches
For I.D. Badges
10 Pack, 5 mil



TP3854-20
Thermal Pouches
For items up to 8.5" x 11"
20 Pack, 3 mil



TP3854-50
Thermal Pouches
For items up to 8.5" x 11"
50 Pack, 3 mil

Limited Warranty This product will be free from defects in material and manufacture for a period of thirty (30) days from the date of purchase. User is responsible for determining whether the product is fit for a particular purpose and suitable for user's application. If this 3M product is defective within the warranty period stated above, your exclusive remedy and 3M's sole obligation shall be, at 3M's option, to replace or repair the 3M product or refund the purchase price of the 3M product. This warranty does not cover normal wear and tear, or damage resulting from accident, misuse, alteration or lack of reasonable care.

This warranty gives you specific legal rights, and you may have other rights which may vary from state to state, or country to country. To obtain warranty service contact 3M at 1-800-772-4337.

Limitation of Liability 3M will not be liable for any loss or damage arising from this 3M product, whether direct, indirect, special, incidental or consequential, regardless of the legal theory asserted, including warranty, contract, negligence or strict liability. Some state and countries do not allow the exclusion or limitation of incidental or consequential damages, so the above limitation or exclusion may not apply to you.

For more information or help with your Scotch™ Thermal Laminator, call the 3M Help Line:
1-800-772-4337



Stationery Products Division
3M Center
St. Paul, MN 55144-1000

70-0714-3101-2



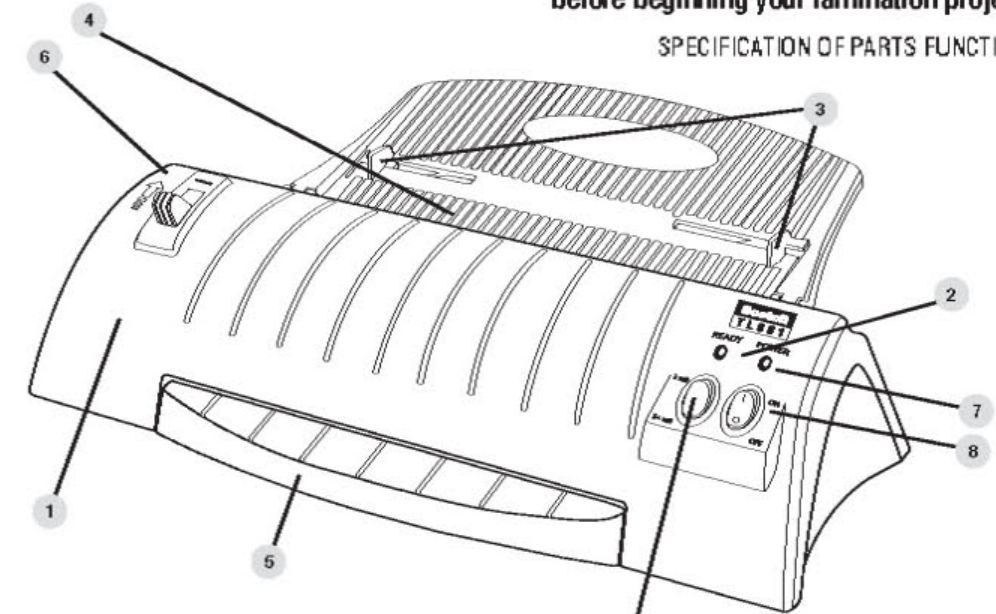
Made in China
© 3M 2007



TL901 Thermal Laminator

Important! Please read entire enclosed instruction booklet before beginning your lamination project.

SPECIFICATION OF PARTS FUNCTION

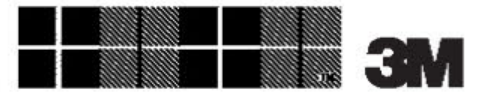


(Figure 1)

- 1 Body: ABS plastic housing
- 2 Ready Indication Light
- 3 Input Tray Guides
- 4 Inlet: The entrance for the object to be laminated
- 5 Outlet: The exit for the laminated object
- 6 Jam Release Lever
- 7 On/Off Indication Light
- 8 On/Off Switch
- 9 Heat Setting Switch

SPECIFICATIONS

Dimensions	15.75" x 11"
Length of cord	5 ft.
Ready Time	5-8 minutes
Weight	3.5 lb.
Voltage	(UL) 120V 60Hz
Power	258W, 2.2A



INTENDED USE

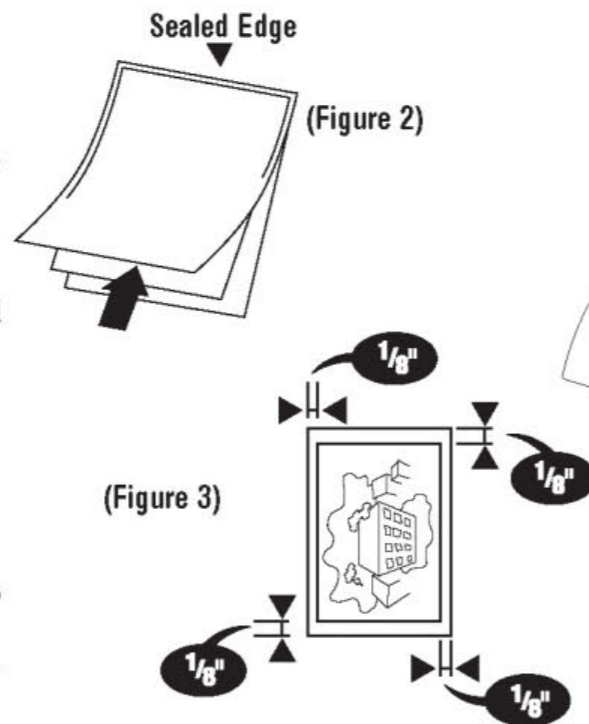
This laminator is designed for use with thermal laminating pouches for laminating paper or flat paper-like items between two film layers. It is intended for home, home office or small office use. Items not intended for use with laminator include: currency, Social Security cards, thermal papers, stamps, credit cards, cards with a magnetic strip and other similar items. Also, do not use sharp objects, unheatable plastic, historically valuable papers or one-of-a-kind items.

OPERATING INSTRUCTIONS

1. Place the laminator on a flat, secure, stable surface.
2. Plug the power cord into a standard 120V outlet.
3. Move the power switch to the "on" position. Make sure the red power light is illuminated.
4. Adjust the Heat Setting switch as necessary. The 3 mil setting should be used for laminating standard printer paper or lighter weight items. The 5 mil setting should be used for photo paper, business cards and other thick items.
5. Wait for the green ready light to come on.
6. Insert the item to be laminated into a Scotch™ Thermal Laminating Pouch, so that the borders are even on all sides. The suggested minimum border on all sides is

approximately 1/8 inch or 3 mm. (Figure 2, Figure 3)

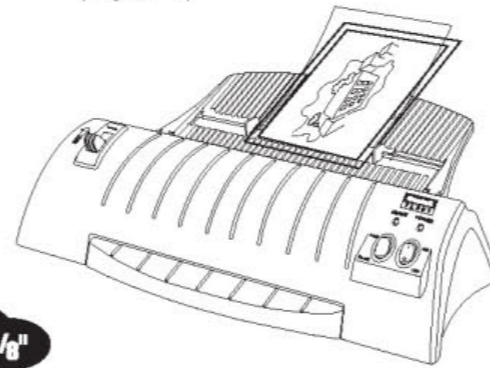
7. Adjust input tray guides to the width of your laminating pouch. Insert the pouch with the item, sealed-edge first, straight into the laminator inlet. Hold the pouch until the machine moves it forward. (Figure 4)
8. The laminated item will automatically exit the outlet of the laminator. Do not pull the pouch through the laminator. If the pouch should become jammed or not feed correctly, hold down the jam release lever and pull the pouch through the laminator.
9. Remove pouch after it has stopped moving and sheet is cool. (Figure 5)
10. When finished laminating, move the power switch to the "off" position.



GENERAL USE INSTRUCTIONS

1. Use 3 to 10 mil thick pouches. The laminator is designed to work with pouches that are a minimum of 3 mils (1 mil = 0.001 inches) and a maximum of 10 mils thick. Using pouches that are thinner or thicker may cause jamming or difference in quality (ex. bubbling).
2. If the laminator is turned on and has not been used for more than one hour, excessive heat may have been created in the machine. To avoid overheating and its consequent inferior laminating result, insert a piece of copy paper into the machine to remove the excessive heat before your formal laminating.

(Figure 4)

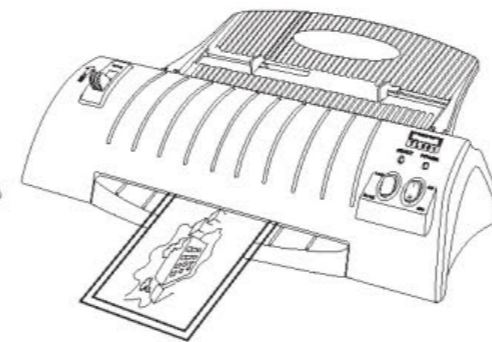


3. If white spots appear or the laminated pouch appears hazy, send the item, sealed end first, through the laminator again.
4. Items have to be laminated on both sides. One side lamination may cause the film to be rolled into the machine making it unusable.
5. DO NOT insert the open end of the pouch into the machine to prevent it from being rolled into the machine.

CARE AND MAINTENANCE

1. Wait for laminator to cool down and unplug before cleaning. Wipe exterior of laminator with cloth to remove dust.
2. The roller heater is fragile. DO NOT DROP or impact machine.
3. Store laminator in a cool dry place.

(Figure 5)



CAUTION

1. Place unit on flat, secure, stable surface.
2. Laminating machine and laminated items may become hot during use. It is not intended for use by unsupervised children. Do not leave laminator unattended while turned on or in use. Allow machine to cool before moving. Allow laminated items to cool before removing. Do not cover vent holes on bottom of machine while it is in use.
3. To reduce the potential for electrical shock:
 - Do not operate the laminating machine if it has a damaged power cord or plug, if it is not working properly, has been dropped or damaged.
 - Do not use laminator in wet environments. The unit is intended for indoor use only.
 - Do not remove outer housing or attempt to service or repair the machine yourself.
 - Keep power cord away from hot surfaces.
 - Connect laminator to a standard 120V outlet.
 - Unplug the machine from electrical outlet before it is moved or when it is not in use for an extended period of time.