

# DEWALT®



**Instruction Manual  
Guide D'utilisation  
Manual de instrucciones**

## **DCN662**

**20V Max\* Cordless 16GA Straight Finish Nailer**

**20V max\* Cloue Droite 16GA sans fil**

**20V Máx\* Clavadora Recta inalámbrica 16GA**

**WWW.DEWALT.com**

**If you have questions or comments, contact us.  
Pour toute question ou tout commentaire, nous contacter.  
Si tiene dudas o comentarios, contáctenos.**

**1-800-4-DEWALT**

## ENGLISH

---

English (***original instructions***)

1

---

Français (*traduction de la notice d'instructions originale*)

17

---

Español (*traducido de las instrucciones originales*)

34

---

## Definitions: Safety Alert Symbols and Words

This instruction manual uses the following safety alert symbols and words to alert you to hazardous situations and your risk of personal injury or property damage.





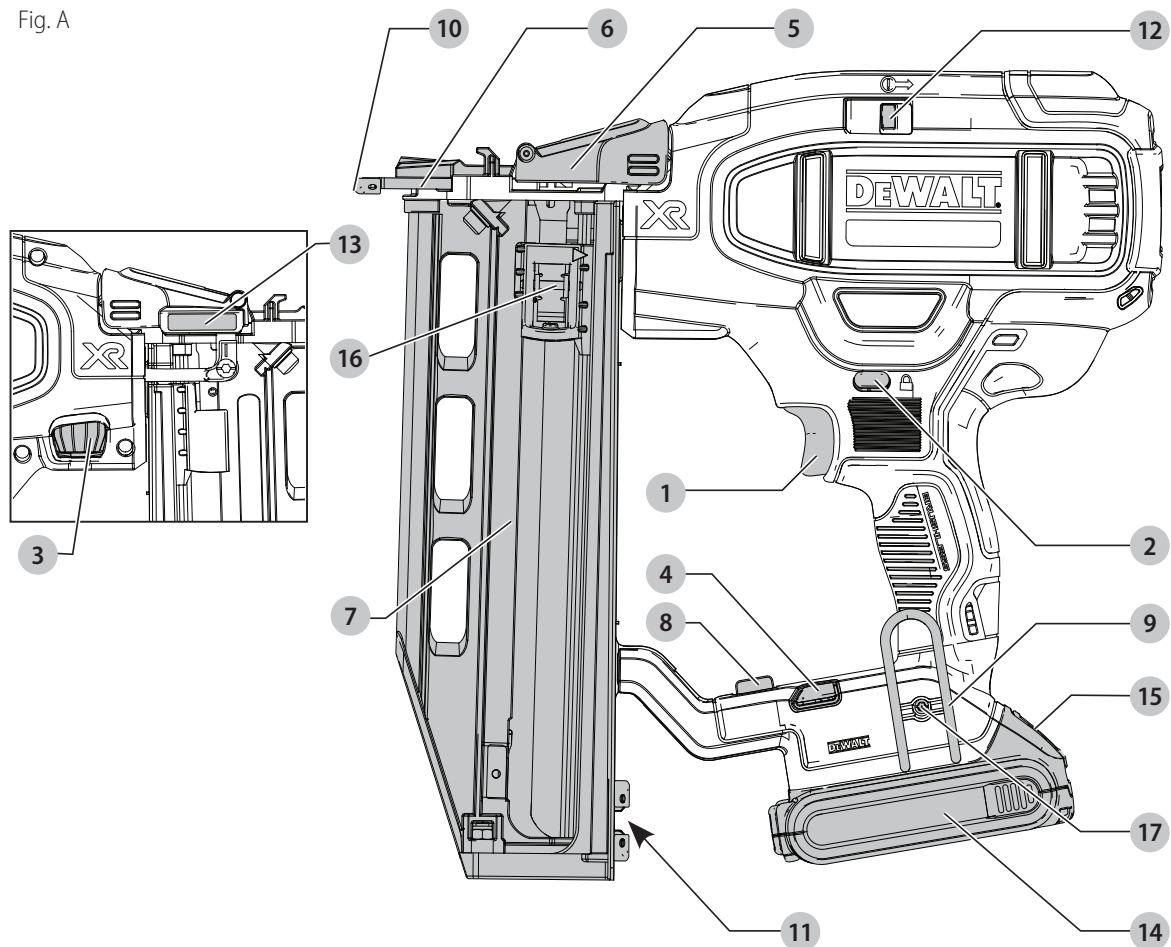


-  **DANGER:** Indicates an imminently hazardous situation which, if not avoided, **will** result in **death or serious injury**.
-  **WARNING:** Indicates a potentially hazardous situation which, if not avoided, **could** result in **death or serious injury**.
-  **CAUTION:** Indicates a potentially hazardous situation which, if not avoided, **may** result in **minor or moderate injury**.
-  (Used without word) Indicates a safety related message.
- NOTICE:** Indicates a practice **not related to personal injury** which, if not avoided, **may** result in **property damage**.

Fig. A



- |  |                           |
|--|---------------------------|
| 1 Trigger                                    | 9 Reversible belt hook    |
| 2 Trigger lock-off                           | 10 No-mar pad             |
| 3 Depth adjustment wheel                     | 11 No-mar pad storage     |
| 4 Headlights/Low battery/<br>Stall indicator | 12 Stall release lever    |
| 5 Jam clearing latch                         | 13 Nail depth indicator   |
| 6 Contact trip                               | 14 Battery                |
| 7 Magazine                                   | 15 Battery release button |
| 8 Bump/Sequential<br>selector switch         | 16 Pusher Assembly        |
|  | 17 Belt hook Screw        |

 **WARNING: Read all safety warnings and all instructions.** Failure to follow the warnings and instructions may result in electric shock, fire and/or serious injury.

 **WARNING:** To reduce the risk of injury, read the instruction manual.

**If you have any questions or comments about this or any DeWALT tool, call us toll free at:  
1-800-4-DeWALT (1-800-433-9258).**

## GENERAL POWER TOOL SAFETY WARNINGS



**WARNING:** Read all safety warnings, instructions, illustrations and specifications provided with this power tool. Failure to follow all instructions listed below may result in electric shock, fire and/or serious injury.

### SAVE ALL WARNINGS AND INSTRUCTIONS FOR FUTURE REFERENCE

The term "power tool" in the warnings refers to your mains-operated (corded) power tool or battery-operated (cordless) power tool.

#### 1) Work Area Safety

- a) **Keep work area clean and well lit.** Cluttered or dark areas invite accidents.
- b) **Do not operate power tools in explosive atmospheres, such as in the presence of flammable liquids, gases or dust.** Power tools create sparks which may ignite the dust or fumes.
- c) **Keep children and bystanders away while operating a power tool.** Distractions can cause you to lose control.

#### 2) Electrical Safety

- a) **Power tool plugs must match the outlet. Never modify the plug in any way. Do not use any adapter plugs with earthed (grounded) power tools.** Unmodified plugs and matching outlets will reduce risk of electric shock.
- b) **Avoid body contact with earthed or grounded surfaces such as pipes, radiators, ranges and refrigerators.** There is an increased risk of electric shock if your body is earthed or grounded.
- c) **Do not expose power tools to rain or wet conditions.** Water entering a power tool will increase the risk of electric shock.
- d) **Do not abuse the cord. Never use the cord for carrying, pulling or unplugging the power tool. Keep cord away from heat, oil, sharp edges or moving parts.** Damaged or entangled cords increase the risk of electric shock.
- e) **When operating a power tool outdoors, use an extension cord suitable for outdoor use.** Use of a cord suitable for outdoor use reduces the risk of electric shock.
- f) **If operating a power tool in a damp location is unavoidable, use a ground fault circuit interrupter (GFCI) protected supply.** Use of a GFCI reduces the risk of electric shock.

#### 3) Personal Safety

- a) **Stay alert, watch what you are doing and use common sense when operating a power tool. Do not use a power tool while you are tired or under the influence of drugs, alcohol or medication.** A moment of inattention while operating power tools may result in serious personal injury.

- b) **Use personal protective equipment. Always wear eye protection.** Protective equipment such as dust mask, non-skid safety shoes, hard hat, or hearing protection used for appropriate conditions will reduce personal injuries.
- c) **Prevent unintentional starting. Ensure the switch is in the off position before connecting to power source and/or battery pack, picking up or carrying the tool.** Carrying power tools with your finger on the switch or energizing power tools that have the switch on invites accidents.
- d) **Remove any adjusting key or wrench before turning the power tool on.** A wrench or a key left attached to a rotating part of the power tool may result in personal injury.
- e) **Do not overreach. Keep proper footing and balance at all times.** This enables better control of the power tool in unexpected situations.
- f) **Dress properly. Do not wear loose clothing or jewelry. Keep your hair, clothing and gloves away from moving parts.** Loose clothes, jewelry or long hair can be caught in moving parts.
- g) **If devices are provided for the connection of dust extraction and collection facilities, ensure these are connected and properly used.** Use of dust collection can reduce dust-related hazards.
- h) **Do not let familiarity gained from frequent use of tools allow you to become complacent and ignore tool safety principles.** A careless action can cause severe injury within a fraction of a second.

#### 4) Power Tool Use and Care

- a) **Do not force the power tool. Use the correct power tool for your application.** The correct power tool will do the job better and safer at the rate for which it was designed.
- b) **Do not use the power tool if the switch does not turn it on and off.** Any power tool that cannot be controlled with the switch is dangerous and must be repaired.
- c) **Disconnect the plug from the power source and/or the battery pack from the power tool before making any adjustments, changing accessories, or storing power tools.** Such preventive safety measures reduce the risk of starting the power tool accidentally.
- d) **Store idle power tools out of the reach of children and do not allow persons unfamiliar with the power tool or these instructions to operate the power tool.** Power tools are dangerous in the hands of untrained users.
- e) **Maintain power tools and accessories. Check for misalignment or binding of moving parts, breakage of parts and any other condition that may affect the power tool's operation. If damaged, have the power tool repaired before use.** Many accidents are caused by poorly maintained power tools.

- f) **Keep cutting tools sharp and clean.** Properly maintained cutting tools with sharp cutting edges are less likely to bind and are easier to control.
- g) **Use the power tool, accessories and tool bits, etc. in accordance with these instructions, taking into account the working conditions and the work to be performed.** Use of the power tool for operations different from those intended could result in a hazardous situation.
- h) **Keep handles and grasping surfaces dry, clean and free from oil and grease.** Slippery handles and grasping surfaces do not allow for safe handling and control of the tool in unexpected situations.

## 5) Battery Tool Use and Care

- a) **Recharge only with the charger specified by the manufacturer.** A charger that is suitable for one type of battery pack may create a risk of fire when used with another battery pack.
- b) **Use power tools only with specifically designated battery packs.** Use of any other battery packs may create a risk of injury and fire.
- c) **When battery pack is not in use, keep it away from other metal objects, like paper clips, coins, keys, nails, screws, or other small metal objects, that can make a connection from one terminal to another.** Shorting the battery terminals together may cause burns or a fire.
- d) **Under abusive conditions, liquid may be ejected from the battery; avoid contact. If contact accidentally occurs, flush with water. If liquid contacts eyes, additionally seek medical help.** Liquid ejected from the battery may cause irritation or burns.
- e) **Do not use a battery pack or tool that is damaged or modified.** Damaged or modified batteries may exhibit unpredictable behaviour resulting in fire, explosion or risk of injury.
- f) **Do not expose a battery pack or tool to fire or excessive temperature.** Exposure to fire or temperature above 265°F (130 °C) may cause explosion.
- g) **Follow all charging instructions and do not charge the battery pack or tool outside the temperature range specified in the instructions.** Charging improperly or at temperatures outside the specified range may damage the BATTERY and increase the risk of fire.




## 6) Service

- a) **Have your power tool serviced by a qualified repair person using only identical replacement parts.** This will ensure that the safety of the power tool is maintained.
- b) **Never service damaged battery packs.** Service of BATTERY packs should only be performed by the manufacturer or authorized service providers.

## Nailer Safety Warnings

- **Always assume that the tool contains fasteners.** Careless handling of the nailer can result in unexpected firing of fasteners and personal injury.
- **Do not point the tool towards yourself or anyone nearby.** Unexpected triggering will discharge a fastener causing an injury.
- **Do not actuate the tool unless the tool is placed firmly against the workpiece.** If the tool is not in contact with the workpiece, the fastener may be deflected away from your target.
- **Disconnect the tool from the power source when the fastener jams in the tool.** While removing a jammed fastener, the tacker may be accidentally activated if it is plugged in.
- **Do not use this nailer for fastening electrical cables.** It is not designed for electric cable installation and may damage the insulation of electric cables thereby causing electric shock or fire hazards.

## Additional Nailer Safety Warnings

-  **WARNING:** When using any nailer, all safety precautions, as outlined below, should be followed to avoid the risk of death or serious injury. Read and understand all instructions before operating the tool.
-  **WARNING: NEVER** spray or in any other way apply lubricants or cleaning solvents inside the tool. This can seriously affect the life and performance of the tool.
-  **WARNING:** if the tool has been dropped or you suspect tool damage perform tool operation check as defined in the mode selection section of the manual. If it doesn't perform according to the manual, stop using the tool and have it serviced at an authorized DEWALT service center.
- **Hold tool by insulated gripping surfaces when performing an operation where driven fasteners may contact hidden wiring.** Contact with a "live" wire will make exposed metal parts of the tool "live" and shock the operator.
- **Actuating tool may result in flying debris, collation material, or dust which could harm operator's eyes.** Operator and others in work area **MUST** wear safety glasses with side shields. These safety glasses must conform to ANSI Z87.1 requirements (approved glasses have "Z87" printed or stamped on them). It is the employer's responsibility to enforce the use of eye protection equipment by the tool operator and other people in the work area.
- **Always wear appropriate personal hearing and other protection during use.** Under some conditions and duration of use, noise from this product may contribute to hearing loss.
- **Disconnect battery pack from the tool when not in use. Always remove battery pack and remove fasteners from magazine before leaving the area or passing the tool to another operator.** Do not carry tool to another work area in which changing location involves the use of scaffoldings, stairs, ladders, and the like, with

## ENGLISH

battery pack connected. Do not make adjustments, perform maintenance or clear jammed fasteners while battery is in place.

- **Do not remove, tamper with, or otherwise cause the tool, trigger, trigger lock-off, or contact trip to become inoperable.** Do not tape or tie trigger or contact trip in the ON position. Do not remove spring from contact trip. Make daily inspections for free movement of trigger and contact trip. Uncontrolled discharge could result.
- **Inspect tool before use. Do not operate a tool if any portion of the tool, trigger, trigger lock-off, or contact trip is inoperable, disconnected, altered, or not working properly.** Damaged parts or missing parts should be repaired or replaced before use. Refer to **Repairs**.
- **Do not alter or modify the tool in any way.**
- **Always assume that the tool contains fasteners.**
- **Do not point the tool at co-workers or yourself at any time.** No horseplay! Work safe! Respect the tool as a working implement.
- **Keep bystanders, children, and visitors away while operating a power tool.** Distractions can cause you to lose control. When tool is not in use, it should be locked in a safe place, out of the reach of children.
- **Do not carry the tool from place to place holding the trigger.** Accidental discharge could result.
- **Always use trigger lock-off when tool is not in immediate use.** Using the **trigger lock-off** will prevent accidental discharge.
- **Do not overreach. Maintain proper footing and balance at all times.** Loss of balance may cause personal injury.
- **Use the tool only for its intended use. Do not discharge fasteners into open air, concrete, stone, extremely hard woods, knots or any material too hard for the fastener to penetrate. Do not use the body of the tool or top cap as a hammer. Discharged fasteners may follow unexpected path and cause injury.**
- **Always keep fingers clear of contact trip to prevent injury from inadvertent release of the pusher.**
- Refer to the **Maintenance** and **Repairs** sections for detailed information on the proper maintenance of the tool.
- **Always operate the tool in a clean, lighted area.** Be sure the work surface is clear of any debris and be careful not to lose footing when working in elevated environments such as rooftops.
- **Do not drive fasteners near edge of material.** The workpiece may split causing the fastener to ricochet, injuring you or a co-worker. Be aware that the nail may follow the grain of the wood (shiner), causing it to protrude unexpectedly from the side of the work material. Drive the chisel point of the nail perpendicular to the grain to reduce risk of injury.

- **Do not drive nails onto the heads of other fasteners or with the tool at too steep an angle.** Personal injury from strong recoil, jammed fasteners, or ricocheted nails may result.
- **Keep hands and body parts clear of immediate work area.** Hold workpiece with clamps when necessary to keep hands and body out of potential harm. Be sure the workpiece is properly secured before pressing the nailer against the material. The contact trip may cause the work material to shift unexpectedly.
- **Do not use tool in the presence of flammable dust, gases or fumes.** The tool may produce a spark that could ignite gases causing a fire. Driving a nail into another nail may also cause a spark.
- **Keep face and body parts away from back of the tool cap when working in restricted areas.** Sudden recoil can result in impact to the body, especially when nailing into hard or dense material.
- **Grip tool firmly to maintain control while allowing tool to recoil away from work surface as fastener is driven.** In Bump mode if contact trip is allowed to recontact work surface before trigger is released an unwanted fastener will be driven.
- Choice of triggering method is important. Check the manual for triggering options.

### Sequential/Bump Selector Switch

#### Sequential Action ↗

- **When using the tool in sequential mode mode, do not actuate the tool unless the tool is placed firmly against the workpiece.**

#### Bump Action ↗↗

- **When using the tool in bump action, be careful of unintentional double fires resulting from tool recoil.** Unwanted fasteners may be driven if the contact trip is allowed to accidentally re-contact the work surface.

#### To Avoid Double Fires:

- Do not engage the tool against the work surface with a strong force.
- Allow the tool to recoil fully after each actuation.
- Use tool in sequential mode.
- **When “bump” actuating the finish nailer, always keep tool in control.** Inaccurate placement of tool can result in misdirected discharge of a fastener.
- **Do not drive nails onto the heads of other fasteners.** Strong recoil, jammed fasteners, or ricocheted nails may result.
- **Be aware of material thickness when using nailer.** A protruding nail may cause injury.
- **Depth adjustment: To reduce risk of serious injury from accidental actuation when attempting to adjust depth, ALWAYS;**
  - Remove battery pack.
  - Engage trigger lock.
  - Avoid contact with trigger during adjustments.

- **Do not drive nails blindly into walls, floors or other work areas.** Fasteners driven into live electrical wires, plumbing, or other types of obstructions can result in injury.
- **Stay alert, watch what you are doing and use common sense when operating a power tool. Do not use tool while tired or under the influence of drugs, alcohol, or medication.** A moment of inattention while operating power tools may result in serious personal injury.

**Additional Safety Information**



**WARNING: ALWAYS** use safety glasses. Everyday eyeglasses are NOT safety glasses. Also use face or dust mask if cutting operation is dusty. ALWAYS WEAR CERTIFIED SAFETY EQUIPMENT:

- ANSI Z87.1 eye protection (CAN/CSA Z94.3),
- ANSI S12.6 (S3.19) hearing protection,
- NIOSH/OSHA/MSHA respiratory protection.



**WARNING:** Some dust created by power sanding, sawing, grinding, drilling, and other construction activities contains chemicals known to the State of California to cause cancer, birth defects or other reproductive harm. Some examples of these chemicals are:

- lead from lead-based paints,
- crystalline silica from bricks and cement and other masonry products, and
- arsenic and chromium from chemically-treated lumber.

Your risk from these exposures varies, depending on how often you do this type of work. To reduce your exposure to these chemicals: work in a well ventilated area, and work with approved safety equipment, such as those dust masks that are specially designed to filter out microscopic particles.

- **Avoid prolonged contact with dust from power sanding, sawing, grinding, drilling, and other construction activities. Wear protective clothing and wash exposed areas with soap and water.** Allowing dust to get into your mouth, eyes, or lay on the skin may promote absorption of harmful chemicals.



**WARNING:** Use of this tool can generate and/or disperse dust, which may cause serious and permanent respiratory or other injury. Always use NIOSH/OSHA approved respiratory protection appropriate for the dust exposure. Direct particles away from face and body.
















**WARNING:** Always wear proper personal hearing protection that conforms to ANSI S12.6 (S3.19) during use. Under some conditions and duration of use, noise from this product may contribute to hearing loss.



**CAUTION:** When not in use, place tool on its side on a stable surface where it will not cause a tripping or falling hazard. Some tools with large battery packs will stand upright on the battery pack but may be easily knocked over.

- **Air vents often cover moving parts and should be avoided.** Loose clothes, jewelry or long hair can be caught in moving parts.

The label on your tool may include the following symbols. The symbols and their definitions are as follows:

V .....	volts		Class II Construction (double insulated)
Hz .....	hertz	n <sub>0</sub> .....	no load speed
min .....	minutes	n .....	rated speed
 or DC.....	direct current		earthing terminal
	Class I Construction (grounded)		safety alert symbol
.../min.....	per minute		visible radiation
BPM.....	beats per minute		wear respiratory protection
IPM.....	impacts per minute		wear eye protection
RPM.....	revolutions per minute		wear hearing protection
sfpn .....	surface feet per minute		read all documentation
SPM.....	strokes per minute		capable of contact actuation mode
A .....	amperes		
W.....	watts		
 or AC.....	alternating current		
 or AC/DC....	alternating or direct current		

**BATTERIES AND CHARGERS**

The battery pack is not fully charged out of the carton. Before using the battery pack and charger, read the safety instructions below and then follow charging procedures outlined. When ordering replacement battery packs, be sure to include the catalog number and voltage. Your tool uses a DEWALT charger. Be sure to read all safety instructions before using your charger. Consult the chart at the end of this manual for compatibility of chargers and battery packs.

**READ ALL INSTRUCTIONS**

**Important Safety Instructions for All Battery Packs**



**WARNING:** Read all safety warnings and all instructions for the battery pack, charger and power tool. Failure to follow the warnings and instructions may result in electric shock, fire and/or serious injury.

- **Do not charge or use the battery pack in explosive atmospheres, such as in the presence of flammable liquids, gases or dust.** Inserting or removing the battery pack from the charger may ignite the dust or fumes.
- **NEVER force the battery pack into the charger. DO NOT modify the battery pack in any way to fit into a non-compatible charger as battery pack may rupture causing serious personal injury.** Consult the chart at the end of this manual for compatibility of batteries and chargers.

## ENGLISH

- Charge the battery packs only in designated DEWALT chargers.
- **DO NOT** splash or immerse in water or other liquids.
- **Do not store or use the tool and battery pack in locations where the temperature may reach or exceed 104 °F (40 °C) (such as outside sheds or metal buildings in summer).** For best life store battery packs in a cool, dry location.

**NOTE: Do not store the battery packs in a tool with the trigger switch locked on. Never tape the trigger switch in the ON position.**

- **Do not incinerate the battery pack even if it is severely damaged or is completely worn out.** The battery pack can explode in a fire. Toxic fumes and materials are created when lithium ion battery packs are burned.
- **If battery contents come into contact with the skin, immediately wash area with mild soap and water.** If battery liquid gets into the eye, rinse water over the open eye for 15 minutes or until irritation ceases. If medical attention is needed, the battery electrolyte is composed of a mixture of liquid organic carbonates and lithium salts.
- **Contents of opened battery cells may cause respiratory irritation.** Provide fresh air. If symptoms persist, seek medical attention.



**WARNING:** Burn hazard. Battery liquid may be flammable if exposed to spark or flame.



**WARNING:** Fire hazard. Never attempt to open the battery pack for any reason. If the battery pack case is cracked or damaged, do not insert into the charger. Do not crush, drop or damage the battery pack. Do not use a battery pack or charger that has received a sharp blow, been dropped, run over or damaged in any way (e.g., pierced with a nail, hit with a hammer, stepped on). Damaged battery packs should be returned to the service center for recycling.

## Transportation



**WARNING: Fire hazard. Do not store or carry the battery pack so that metal objects can contact exposed battery terminals.** For example, do not place the battery pack in aprons, pockets, tool boxes, product kit boxes, drawers, etc., with loose nails, screws, keys, etc. **Transporting batteries can possibly cause fires if the battery terminals inadvertently come in contact with conductive materials such as keys, coins, hand tools and the like.** The US Department of Transportation Hazardous Material Regulations (HMR) actually prohibit transporting batteries in commerce or on airplanes in carry-on baggage UNLESS they are properly protected from short circuits. So when transporting individual battery packs, make sure that the battery terminals are protected and well insulated from materials that could contact them and cause a short circuit.

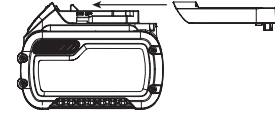
**NOTE:** Lithium-ion batteries should not be put in checked baggage.

## Shipping the DEWALT FLEXVOLT™ Battery

The DEWALT FLEXVOLT™ battery has two modes: **Use** and **Shipping**.

**Use Mode:** When the FLEXVOLT™ battery stands alone or is in a DEWALT 20V Max\* product, it will operate as a 20V Max\* battery. When the FLEXVOLT™ battery is in a 60V Max\* or a 120V Max\* (two 60V Max\* batteries) product, it will operate as a 60V Max\* battery.

**Shipping Mode:** When the cap is attached to the FLEXVOLT™ battery, the battery is in Shipping Mode.



Strings of cells are electrically disconnected within the pack resulting in three batteries with a lower Watt hour (Wh) rating as compared to one battery with a higher Watt hour rating. This increased quantity of three batteries with the lower Watt hour rating can exempt the pack from certain shipping regulations that are imposed upon the higher Watt hour batteries.

The battery label indicates two Watt hour ratings (see example). Depending on how the battery is shipped, the appropriate Watt hour rating must be used to determine the applicable shipping requirements. If utilizing the shipping cap, the pack will be considered 3 batteries at the Watt hour rating indicated for "Shipping". If shipping without the cap or in a tool, the pack will be considered one battery at the Watt hour rating indicated next to "Use".

Example of Use and Shipping Label Marking

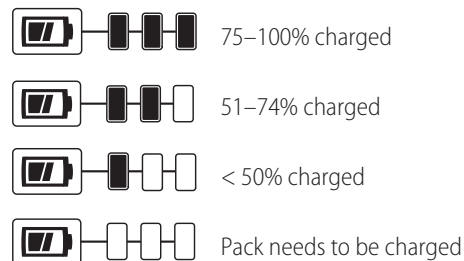
**USE: 120 Wh Shipping: 3 x 40 Wh**

For example, Shipping Wh rating might indicate 3 x 40 Wh, meaning 3 batteries of 40 Watt hours each. The Use Wh rating might indicate 120 Wh (1 battery implied).

## Fuel Gauge Battery Packs (Fig. B)

Some DEWALT battery packs include a fuel gauge which consists of three green LED lights that indicate the level of charge remaining in the battery pack.

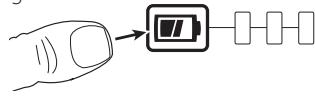
The fuel gauge is an indication of approximate levels of charge remaining in the battery pack according to the following indicators:



To actuate the fuel gauge, press and hold the fuel gauge button. A combination of the three green LED lights will illuminate designating the level of charge left. When the level of charge in the battery is below the usable limit, the fuel gauge will not illuminate and the battery will need to be recharged.



Fig. B



**NOTE:** The fuel gauge is only an indication of the charge left on the battery pack. It does not indicate tool functionality and is subject to variation based on product components, temperature and end-user application.

For more information regarding fuel gauge battery packs, please call 1-800-4-DEWALT (1-800-433-9258) or visit our website [www.dewalt.com](http://www.dewalt.com).

### The RBRC® Seal

The RBRC® (Rechargeable Battery Recycling Corporation) Seal on the nickel cadmium, nickel metal hydride or lithium-ion batteries (or battery packs) indicates that the costs to recycle these batteries (or battery packs) at the end of their useful life have already been paid by DEWALT. In some areas, it is illegal to place spent nickel cadmium, nickel metal hydride or lithium-ion batteries in the trash or municipal solid waste stream and the Call 2 Recycle® program provides an environmentally conscious alternative.



Call 2 Recycle, Inc., in cooperation with DEWALT and other battery users, has established the program in the United States and Canada to facilitate the collection of spent nickel cadmium, nickel metal hydride or lithium-ion batteries. Help protect our environment and conserve natural resources by returning the spent nickel cadmium, nickel metal hydride or lithium-ion batteries to an authorized DEWALT service center or to your local retailer for recycling. You may also contact your local recycling center for information on where to drop off the spent battery. RBRC® is a registered trademark of Call 2 Recycle, Inc.

### Important Safety Instructions for All Battery Chargers

**! WARNING:** Read all safety warnings and all instructions for the battery pack, charger and power tool. Failure to follow the warnings and instructions may result in electric shock, fire and/or serious injury.

- **DO NOT attempt to charge the battery pack with any chargers other than the ones in this manual.** The charger and battery pack are specifically designed to work together.
- **These chargers are not intended for any uses other than charging DEWALT rechargeable batteries.** Any other uses may result in risk of fire, electric shock or electrocution.
- **Do not expose the charger to rain or snow.**
- **Pull by the plug rather than the cord when disconnecting the charger.** This will reduce the risk of damage to the electric plug and cord.
- **Make sure that the cord is located so that it will not be stepped on, tripped over or otherwise subjected to damage or stress.**

- **Do not use an extension cord unless it is absolutely necessary.** Use of improper extension cord could result in risk of fire, electric shock or electrocution.
- **When operating a charger outdoors, always provide a dry location and use an extension cord suitable for outdoor use.** Use of a cord suitable for outdoor use reduces the risk of electric shock.
- **An extension cord must have adequate wire size (AWG or American Wire Gauge) for safety.** The smaller the gauge number of the wire, the greater the capacity of the cable, that is, 16 gauge has more capacity than 18 gauge. An undersized cord will cause a drop in line voltage resulting in loss of power and overheating. When using more than one extension to make up the total length, be sure each individual extension contains at least the minimum wire size. The following table shows the correct size to use depending on cord length and nameplate ampere rating. If in doubt, use the next heavier gauge. The lower the gauge number, the heavier the cord.

Minimum Gauge for Cord Sets

Volts	Total Length of Cord in Feet (meters)				
	120 V	25 (7.6)	50 (15.2)	100 (30.5)	150 (45.7)
240 V	50 (15.2)	100 (30.5)	200 (61.0)	300 (91.4)	
Ampere Rating		American Wire Gauge			
More Than	Not More Than				
0	6	18	16	16	14
6	10	18	16	14	12
10	12	16	16	14	12
12	16	14	12	Not Recommended	

- **Do not place any object on top of the charger or place the charger on a soft surface that might block the ventilation slots and result in excessive internal heat.** Place the charger in a position away from any heat source. The charger is ventilated through slots in the top and the bottom of the housing.
- **Do not operate the charger with a damaged cord or plug.**
- **Do not operate the charger if it has received a sharp blow, been dropped or otherwise damaged in any way.** Take it to an authorized service center.
- **Do not disassemble the charger; take it to an authorized service center when service or repair is required.** Incorrect reassembly may result in a risk of electric shock, electrocution or fire.
- **Disconnect the charger from the outlet before attempting any cleaning.** This will reduce the risk of electric shock. Removing the battery pack will not reduce this risk.
- **NEVER attempt to connect 2 chargers together.**
- **The charger is designed to operate on standard 120V household electrical power. Do not attempt to use it on any other voltage.** This does not apply to the vehicular charger.

## ENGLISH



**WARNING:** Shock hazard. Do not allow any liquid to get inside the charger. Electric shock may result.



**WARNING:** Burn hazard. Do not submerge the battery pack in any liquid or allow any liquid to enter the battery pack. Never attempt to open the battery pack for any reason. If the plastic housing of the battery pack breaks or cracks, return to a service center for recycling.



**CAUTION:** Burn hazard. To reduce the risk of injury, charge only DEWALT rechargeable battery packs. Other types of batteries may overheat and burst resulting in personal injury and property damage.

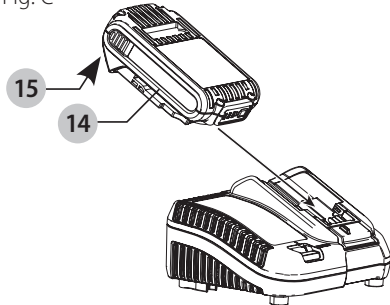


**CAUTION:** Under certain conditions, with the charger plugged into the power supply, the charger can be shorted by foreign material. Foreign materials of a conductive nature, such as, but not limited to, grinding dust, metal chips, steel wool, aluminum foil or any buildup of metallic particles should be kept away from the charger cavities. Always unplug the charger from the power supply when there is no battery pack in the cavity. Unplug the charger before attempting to clean.

## Charging a Battery (Fig. C)

1. Plug the charger into an appropriate outlet before inserting battery pack.

Fig. C



2. Insert the battery pack **14** into the charger, making sure the battery pack is fully seated in the charger. The red (charging) light will blink continuously indicating that the charging process has started.
3. The completion of charge will be indicated by the red light remaining ON continuously. The battery pack is fully charged and may be used at this time or left in the charger. To remove the battery pack from the charger, push the battery release button **15** on the battery pack.

**NOTE:** To ensure maximum performance and life of lithium-ion battery packs, charge the battery pack fully before first use.

## Charger Operation

Refer to the indicators below for the charge status of the battery pack.

DCB107, DCB112, DCB113, DCB115, DCB118, DCB132

	Charging		
	Fully Charged		
	Hot/Cold Pack Delay*		

## \*DCB107, DCB112, DCB113, DCB115, DCB118, DCB132:

The red light will continue to blink, but a yellow indicator light will be illuminated during this operation. Once the battery pack has reached an appropriate temperature, the yellow light will turn off and the charger will resume the charging procedure.

The compatible charger(s) will not charge a faulty battery pack. The charger will indicate faulty battery pack by refusing to light.

**NOTE:** This could also mean a problem with a charger. If the charger indicates a problem, take the charger and battery pack to be tested at an authorized service center.

## Hot/Cold Pack Delay

When the charger detects a battery pack that is too hot or too cold, it automatically starts a Hot/Cold Pack Delay, suspending charging until the battery pack has reached an appropriate temperature. The charger then automatically switches to the pack charging mode. This feature ensures maximum battery pack life.

A cold battery pack will charge at a slower rate than a warm battery pack. The battery pack will charge at that slower rate throughout the entire charging cycle and will not return to maximum charge rate even if the battery pack warms.

The DCB118 charger is equipped with an internal fan designed to cool the battery pack. The fan will turn on automatically when the battery pack needs to be cooled.

Never operate the charger if the fan does not operate properly or if ventilation slots are blocked. Do not permit foreign objects to enter the interior of the charger.

## Electronic Protection System

Li-Ion tools are designed with an Electronic Protection System that will protect the battery pack against overloading, overheating or deep discharge.

The tool will automatically turn off if the Electronic Protection System engages. If this occurs, place the lithium-ion battery pack on the charger until it is fully charged.

## Wall Mounting

### DCB107, DCB112, DCB113, DCB115, DCB118, DCB132

These chargers are designed to be wall mountable or to sit upright on a table or work surface. If wall mounting, locate the charger within reach of an electrical outlet, and away from a corner or other obstructions which may impede air flow. Use the back of the charger as a template for the location of the mounting screws on the wall. Mount the charger securely using drywall screws (purchased separately) at least 1" (25.4 mm) long, with a screw head diameter of 0.28–0.35" (7–9 mm), screwed into wood to an optimal depth leaving approximately 7/32" (5.5 mm) of the screw exposed. Align the slots on the back of the charger with the exposed screws and fully engage them in the slots.

## Charger Cleaning Instructions



**WARNING:** Shock hazard. Disconnect the charger from the AC outlet before cleaning. Dirt and grease may be removed from the exterior of the charger using a cloth or soft non-metallic brush. Do not use water or any cleaning solutions.

## Important Charging Notes

1. Longest life and best performance can be obtained if the battery pack is charged when the air temperature is between 65 °F and 75 °F (18 ° – 24 °C). DO NOT charge the battery pack below +40 °F (+4.5 °C), or above +104 °F (+40 °C). This is important and will prevent serious damage to the battery pack.
2. The charger and battery pack may become warm to the touch while charging. This is a normal condition, and does not indicate a problem. To facilitate the cooling of the battery pack after use, avoid placing the charger or battery pack in a warm environment such as in a metal shed or an uninsulated trailer.
3. If the battery pack does not charge properly:
  - a. Check operation of receptacle by plugging in a lamp or other appliance;
  - b. Check to see if receptacle is connected to a light switch which turns power off when you turn out the lights;
  - c. Move the charger and battery pack to a location where the surrounding air temperature is approximately 65 °F – 75 °F (18 ° – 24 °C);
  - d. If charging problems persist, take the tool, battery pack and charger to your local service center.
4. The battery pack should be recharged when it fails to produce sufficient power on jobs which were easily done previously. DO NOT CONTINUE to use under these conditions. Follow the charging procedure. You may also charge a partially used pack whenever you desire with no adverse effect on the battery pack.
5. Foreign materials of a conductive nature such as, but not limited to, grinding dust, metal chips, steel wool, aluminum foil, or any buildup of metallic particles should be kept away from charger cavities. Always unplug the charger from the power supply when there is no battery pack in the cavity. Unplug the charger before attempting to clean.
6. Do not freeze or immerse the charger in water or any other liquid.

## Storage Recommendations

1. The best storage place is one that is cool and dry, away from direct sunlight and excess heat or cold.
2. For long storage, it is recommended to store a fully charged battery pack in a cool dry place out of the charger for optimal results.

**NOTE:** Battery packs should not be stored completely depleted of charge. The battery pack will need to be recharged before use.

**SAVE THESE INSTRUCTIONS FOR FUTURE USE**

## COMPONENTS (FIG. A)

**⚠ WARNING:** Never modify the power tool or any part of it. Damage or personal injury could result.

Refer to Figure A at the beginning of this manual for a complete list of components.

### Intended Use

Your cordless finish nailer has been designed for driving nails into wooden workpieces.

**DO NOT** use under wet conditions or in presence of flammable liquids or gases.

Your cordless finish nailer is a professional power tool.

**DO NOT** let children come into contact with the tool. Supervision is required when inexperienced operators use this tool.

Tool Specifications	
Firing Mode	Selectable: Sequential or Bump
Voltage	20
Height	12.3 in (312.4 mm)
Width	3.7 in (93.9 mm)
Length	11.9 in (302.2 mm)
Weight (without battery)	5.6 lbs (2.5 kg)
Magazine Angle	Straight
Loading Capacity	110 nails
Nail Specifications	
Straight Nail Lengths	1-1/4 - 2-1/2" (31.8 - 63.5mm)
Shank Diameters	16 gauge
Nail Stick Angles	Straight

## ASSEMBLY AND ADJUSTMENTS

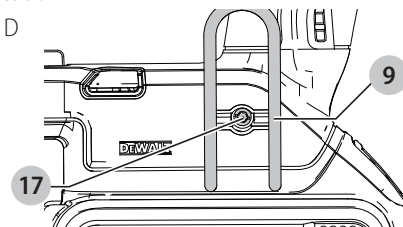
**⚠ WARNING:** To reduce the risk of serious personal injury, turn unit off and remove the battery pack before making any adjustments or removing/ installing attachments or accessories. An accidental start-up can cause injury.

### Belt Hook (Fig. D)

The cordless nailers include an integrated belt hook **9** that can be attached to either side of the tool to accommodate left- or right-handed users.

If the hook is not desired at all, it can be removed from the tool.

Fig. D



## ENGLISH

### To Adjust Belt Hook Location

**!** **WARNING:** Remove nails from magazine before making any adjustments or servicing this tool. Failure to do so may result in serious injury.

**!** **WARNING:** Disconnect battery pack from tool before making any adjustments, changing accessories, servicing, or moving the tool. Such preventative safety measures reduce the risk of starting the tool accidentally.

**!** **CAUTION:** When not in use, place tool on its side on a stable surface where it will not cause a tripping or falling hazard. Some tools with large battery packs will stand upright on the battery pack but may be easily knocked over.

1. Remove battery pack from tool.
2. To switch the tool from right- to left-hand usage simply remove the screw **17** from the opposite side of the tool and reassemble on the other side.
3. Replace battery pack.

### OPERATION

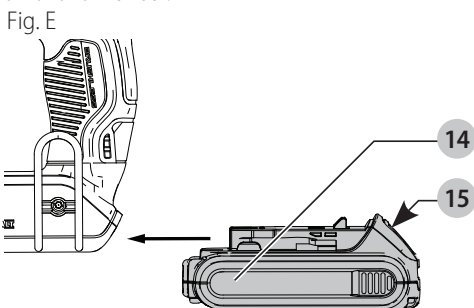
**!** **WARNING:** To reduce the risk of serious personal injury, turn unit off and remove the battery pack before making any adjustments or removing/installing attachments or accessories. An accidental start-up can cause injury.

### Installing and Removing the Battery Pack (Fig. E)

**NOTE:** For best results, make sure your battery pack is fully charged.

To install the battery pack **14** into the tool handle, align the battery pack with the rails inside the tool's handle and slide it into the handle until the battery pack is firmly seated in the tool and ensure that it does not disengage.

To remove the battery pack from the tool, press the release button **15** and firmly pull the battery pack out of the tool handle. Insert it into the charger as described in the charger section of this manual.

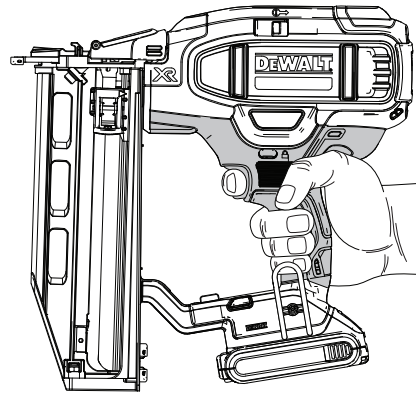


### Proper Hand Position (Fig. F)

**!** **WARNING:** To reduce the risk of serious personal injury, ALWAYS use proper hand position.

**!** **WARNING:** To reduce the risk of serious personal injury, ALWAYS hold securely in anticipation of a sudden reaction.

Fig. F



### Mode Selection

**!** **WARNING:** Always wear proper eye [ANSI Z87.1 (CAN/CSA Z94.3)] and ANSI S12.6 (S3.19) hearing protection when operating tool.

The DEWALT cordless nailers are assembled in accordance with the ANSI Standard SNT-101-2015.

The finish nailer is capable of firing nails using bump actuation or sequential actuation. If you would like to have the bump actuation mode disabled, have the tool serviced by an authorized DEWALT service center. Before operating this tool, look at the selector switch to determine the actuation mode. Read all instructions before selecting actuation mode.

**!** **WARNING:** Keep fingers AWAY from trigger when not driving nails to avoid accidental fastener discharge. NEVER carry tool with finger on trigger. In bump mode tool will drive a nail if contact trip is bumped while trigger is depressed.

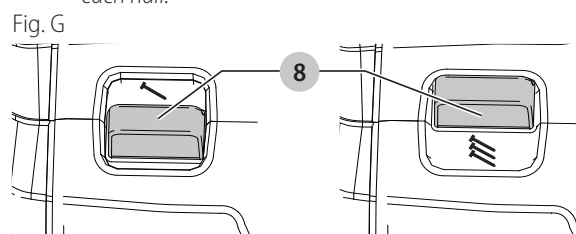
### Sequential Actuation ↗ (Fig. G)

Use sequential actuation mode for intermittent nailing where very careful and accurate placement and depth control is desired. The sequential actuation mode provides the maximum delivery of power for driving the longest nails.

#### To Operate the Nailer in Sequential Actuation Mode:

1. Slide the selector switch **8** to expose the single nail icon ↗.
2. Fully depress nosepiece against the work surface (motor will start).
3. Pull trigger (nail will drive into work surface).
4. Release trigger.
5. Lift nosepiece off work surface.
6. Repeat steps 2 through 4 for next application.

**NOTICE:** The contact trip needs to be depressed followed by a trigger pull for each nail followed by a release of both the contact trip and trigger after each nail.




## Bump Action (Fig. G)

Bump action is intended for rapid nailing on flat, stationary surfaces and typically most effective for applications that require driving shorter nails.

When the tool is set in the bump actuation mode, two methods of tool operation are available: place actuation and bump actuation.

Slide the selector switch **8** to expose the triple nail icon .


### To Operate the Tool Using the Place Actuation Method:


 **WARNING:** A nail will be driven each time the trigger is depressed as long as the contact trip remains depressed.

1. Depress the contact trip against the work surface.
2. Depress the trigger.


### To Operate the Tool Using the Bump Actuation Method:

1. Depress the trigger.
2. Push the contact trip against the work surface. As long as the trigger is depressed, the tool will drive a nail every time the contact trip is depressed. This allows the user to drive multiple nails in sequence.

 **WARNING:** Do not keep trigger depressed when tool is not in use. Keep the trigger lock-off in the locked position when the tool is not in use.

 **WARNING:** When the tool's motor is running, pulling the trigger or depressing the contact trip will cause a nail to be driven.


## Preparing the Tool


 **WARNING: NEVER** spray or in any other way apply lubricants or cleaning solvents inside the tool. This can seriously affect the life and performance of the tool.

**NOTE:** The battery pack is not fully charged out of the carton. Follow instructions outlined (see **Charging a Battery**).

1. Read the safety instruction section of this manual.
2. Wear eye and ear protection.
3. Ensure magazine is empty of all fasteners.
4. Check for smooth and proper operation of contact trip and pusher assemblies. Do not use tool if either assembly is not functioning properly. **NEVER** use a tool that has the contact trip restrained in the actuated position.
5. Keep tool pointed away from yourself and others.
6. Insert fully charged battery pack.

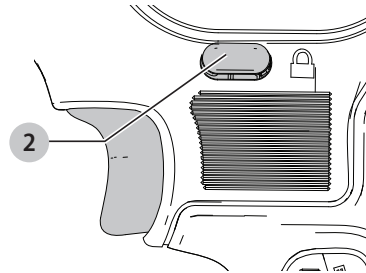
## Using the Trigger Lock-off (Fig. H)

 **WARNING:** To reduce the risk of serious personal injury, do not keep trigger depressed when tool is not in use. Keep the trigger lock-off switch **LOCKED** (Fig. H) when the tool is not in use.

 **WARNING:** To reduce the risk of serious personal injury, lock off trigger, disconnect battery pack from tool and remove nails from magazine before making adjustments.

Each DEWALT nailer is equipped with a trigger lock-off **2** which when pushed to the right as shown in Figure H, prevents the tool from firing a nail by locking the trigger and bypassing power to the motor.


Fig. H





When the trigger lock-off is pressed to the left, the tool will be fully operational. The trigger lock-off should always be locked off whenever any adjustments are made or when tool is not in immediate use.

**NOTICE:** Do not store tool with battery pack installed. To prevent damage to the pack and to ensure best battery life, store battery packs out of the tool or charger in a cool, dry location.

## Loading the Tool (Fig. I)

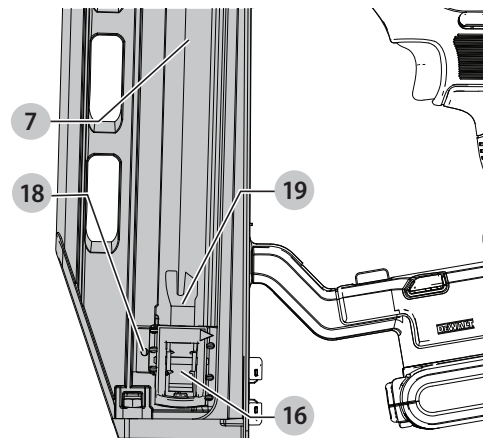
 **WARNING:** Keep the tool pointed away from yourself and others. Serious personal injury may result.

 **WARNING:** Never load nails with the contact trip or trigger activated. Personal injury may result.

 **WARNING:** Always remove battery pack before loading or unloading nails. Serious personal injury may result.

1. Load nails through the slot in the rear of the magazine and past the retaining clip **18**.
2. Pull pusher assembly **16** back behind nail stick and release.
3. Ensure magazine pusher **19** is behind the last nail stick.

Fig. I



## ENGLISH

### Unloading The Tool (Fig. A, I)

**WARNING:** The trigger lock-off should always be locked off whenever any adjustments are made or when tool is not in use.

1. Release pusher assembly **16** so it is no longer applying force to the nail sticks.
2. Slide nail sticks down and out through the slot in the rear of the magazine.
3. Open the jam clear latch **5** on the nosepiece to verify there are no nails remaining.

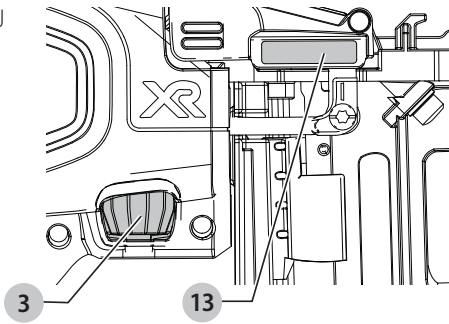
### Adjusting Depth (Fig. J)

The depth that the fastener is driven can be adjusted using the depth adjustment wheel **3** on the side of the tool.

**WARNING:** To reduce risk of serious injury from accidental actuation when attempting to adjust depth, ALWAYS:

- Remove battery pack.
  - Engage trigger lock-off.
  - Avoid contact with trigger during adjustments.
1. To drive the nail shallower (⊖), rotate the depth adjustment wheel **3** away from the nose of the nailer.
  2. To sink a nail deeper (⊕), rotate the depth adjustment wheel **3** toward the nose of the nailer.

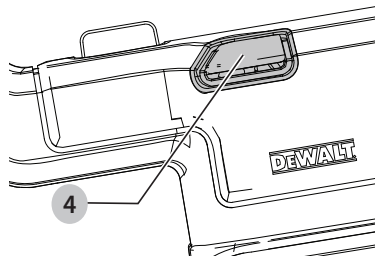
Fig. J



### Headlights (Fig. K)

There is a headlight **4** located on each side of the nailer. Headlights turn on upon battery insertion, activation of the trigger, or depressing the contact trip. The lights will automatically shut off after 20 seconds unless tool remains in use.

Fig. K



**NOTE:** These headlights are for lighting the immediate work surface and are not intended to be used as flashlights.

**LOW BATTERY INDICATOR:** The left-side headlight will flash four consecutive times and then shut down to indicate low battery.

**JAMMED NAIL INDICATOR:** The right-side headlight will flash continually if a nail becomes jammed in the nosepiece (see **Clearing a Jammed Nail**).

### Clearing a Jammed Nail (Fig. A, L)

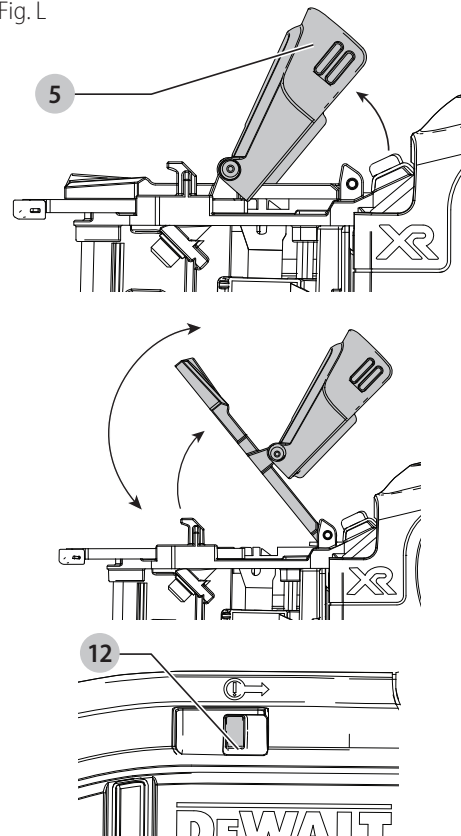
If a nail becomes jammed in the nosepiece, keep the tool pointed away from you and follow these instructions to clear:

1. Remove battery pack from tool and engage the trigger lock-off.
2. Release pusher assembly and remove any loaded nails
3. Lift the jam clear latch **5** then pull up to open the nosepiece door.
4. Remove bent nail, using pliers if necessary.
5. If driver blade is in the down position, cycle the stall release lever **12** using enough force to fully slide it to the other end of the slot in the housings.
6. Close the nosepiece door and engage the latch pin under the two arms on the nosepiece. Push latch until it locks in place.
7. Reinsert battery pack.

**NOTE:** The tool will disable itself and not reset until the battery pack has been removed and reinserted.

8. Reinsert nails into magazine (see **Loading the Tool**).

Fig. L



**NOTE:** Should nails continue to jam frequently in nosepiece, have tool serviced by an authorized DEWALT service center.

## Cold Weather Operation

When operating tools at temperatures below freezing:

1. Keep tool as warm as possible prior to use.
2. Actuate the tool 5 or 6 times into scrap lumber before using.

## Hot Weather Operation

Tool should operate normally. However, keep tool out of direct sunlight as excessive heat can deteriorate bumpers and other rubber parts resulting in increased maintenance.

## MAINTENANCE



**WARNING:** To reduce the risk of serious personal injury, turn unit off and remove the battery pack before making any adjustments or removing/installing attachments or accessories. An accidental start-up can cause injury.

## Cleaning



**WARNING:** Blow dirt and dust out of all air vents with clean, dry air at least once a week. To minimize the risk of eye injury, always wear ANSI Z87.1 approved eye protection when performing this procedure.



**WARNING:** Never use solvents or other harsh chemicals for cleaning the non-metallic parts of the tool. These chemicals may weaken the plastic materials used in these parts. Use a cloth dampened only with water and mild soap. Never let any liquid get inside the tool; never immerse any part of the tool into a liquid.

## Accessories



**WARNING:** Since accessories, other than those offered by DEWALT, have not been tested with this product, use of such accessories with this tool could be hazardous. To reduce the risk of injury, only DEWALT recommended accessories should be used with this product.

Recommended accessories for use with your tool are available at extra cost from your local dealer or authorized service center. If you need assistance in locating any accessory, please contact DEWALT Industrial Tool Co., 701 East Joppa Road, Towson, MD 21286, call 1-800-4-DEWALT (1-800-433-9258) or visit our website: [www.dewalt.com](http://www.dewalt.com).

## Repairs

The charger and battery pack are not serviceable.



**WARNING:** To assure product SAFETY and RELIABILITY, repairs, maintenance and adjustment (including brush inspection and replacement, when applicable) should be performed by a DEWALT factory service center or a DEWALT authorized service center. Always use identical replacement parts.

## Register Online

Thank you for your purchase. Register your product now for:

- **WARRANTY SERVICE:** Registering your product will help you obtain more efficient warranty service in case there is a problem with your product.
- **CONFIRMATION OF OWNERSHIP:** In case of an insurance loss, such as fire, flood or theft, your registration of ownership will serve as your proof of purchase.
- **FOR YOUR SAFETY:** Registering your product will allow us to contact you in the unlikely event a safety notification is required under the Federal Consumer Safety Act.

Register online at [www.dewalt.com/register](http://www.dewalt.com/register).

## Three Year Limited Warranty

DEWALT will repair, without charge, any defects due to faulty materials or workmanship for three years from the date of purchase. This warranty does not cover part failure due to normal wear or tool abuse. For further detail of warranty coverage and warranty repair information, visit [www.dewalt.com](http://www.dewalt.com) or call 1-800-4-DEWALT (1-800-433-9258). This warranty does not apply to accessories or damage caused where repairs have been made or attempted by others. THIS LIMITED WARRANTY IS GIVEN IN LIEU OF ALL OTHERS, INCLUDING THE IMPLIED WARRANTY OF MERCHANTABILITY AND FITNESS FOR A PARTICULAR PURPOSE, AND EXCLUDES ALL INCIDENTAL OR CONSEQUENTIAL DAMAGES. Some states do not allow limitations on how long an implied warranty lasts or the exclusion or limitation of incidental or consequential damages, so these limitations may not apply to you. This warranty gives you specific legal rights and you may have other rights which vary in certain states or provinces. In addition to the warranty, DEWALT tools are covered by our:

### 1 YEAR FREE SERVICE

DEWALT will maintain the tool and replace worn parts caused by normal use, for free, any time during the first year after purchase.

### 2 YEARS FREE SERVICE ON DEWALT BATTERY PACKS

DC9071, DC9091, DC9096, DC9182, DC9280, DC9360, DCB120, DCB127, DCB201, DCB203BT, DCB207, DCB361

### 3 YEARS FREE SERVICE ON DEWALT BATTERY PACKS

DCB200, DCB204, DCB204BT, DCB203, DCB205, DCB205BT, DCB206, DCB230, DCB606, DCB609

**NOTE:** Battery warranty voided if the battery pack is tampered with in any way. DEWALT is not responsible for any injury caused by tampering and may prosecute warranty fraud to the fullest extent permitted by law.

### 90 DAY MONEY BACK GUARANTEE

If you are not completely satisfied with the performance of your DEWALT Power Tool, Laser, or Nailer for any reason, you can return it within 90 days from the date of purchase with a receipt for a full refund – no questions asked.

## ENGLISH

**LATIN AMERICA:** This warranty does not apply to products sold in Latin America. For products sold in Latin America, see country specific warranty information contained in the packaging, call the local company or see website for warranty information.

**FREE WARNING LABEL REPLACEMENT:** If your warning labels become illegible or are missing, call 1-800-4-DEWALT (1-800-433-9258) for a free replacement.



## Troubleshooting Guide

MANY COMMON PROBLEMS CAN BE SOLVED EASILY BY UTILIZING THE CHART BELOW. FOR MORE SERIOUS OR PERSISTENT PROBLEMS, CONTACT A DEWALT SERVICE CENTER OR CALL 1-(800)-4-DEWALT.



**WARNING:** To reduce the risk of serious personal injury, turn unit off and remove the battery pack before making any adjustments or removing/installing attachments or accessories. An accidental start-up can cause injury.

Symptom	Cause	Fix
Tool doesn't turn on (Headlights don't turn on)	Tool internal electronics not reset	Remove battery, wait 3 seconds and reinsert
	Low battery charge or damaged battery	Charge or replace battery
	Terminals are dirty or damaged	See authorized service center
	Bent contact trip	See authorized service center
	Damaged internal electronics	See authorized service center
Tool doesn't actuate (Headlights on, motor does not run)	Motor stops running after 4 seconds	Normal operation; release trigger or contact trip and redepress
	Contact trip or trigger not depressed	See instruction manual
	Damaged trigger	See authorized service center
	Bent contact trip	See authorized service center
	Damaged internal electronics	See authorized service center
Tool in sequential mode and only trigger being actuated.	Change mode or depress contact trip in sequential mode.	
Tool doesn't actuate (Left headlight flashes 4 times)	Low battery charge or damaged battery	Charge or replace battery
Tool doesn't actuate (Right headlights flashes continuously)	Jammed fastener	Remove the battery, clear the jammed fastener, (actuate the stall release lever to reset the driver blade) and reinsert battery pack
	Jammed mechanism	See authorized service center
Tool doesn't actuate (Headlights on, motor runs)	Damaged internal electronics	See authorized service center
Tool doesn't actuate (Headlights on, motor runs, driver blade stuck down)	Damaged return system	Replace return system; see authorized service center
	Debris in nosepiece	Clean nosepiece
	Damaged driver/return assembly	Replace driver/return assembly; see authorized service center
Tool operates, but does not drive the fastener fully	Low battery charge or damaged battery	Charge or replace battery
	Depth adjustment set too shallow	Rotate depth adjustment wheel to a deeper setting
	Tool not firmly applied to workpiece	See instruction manual
	Material and fastener length too rigorous an application	Choose appropriate material or fastener length
	Damaged or worn driver blade tip	Replace driver/return assembly; see authorized service center
	Damaged or worn driver/return assembly	Replace driver/return assembly; see authorized service center
Tool operates, but no fastener driven	No fasteners in magazine	Load fasteners into magazine
	Wrong size or angle fasteners	Use only recommended fasteners
	Debris in nosepiece	Clean nosepiece
	Debris in magazine	Clean magazine
	Worn magazine	Replace magazine; see authorized service center
	Damaged or worn driver blade	Replace driver/return assembly; see authorized service center
	Damaged pusher spring	Replace spring; see authorized service center

## ENGLISH

Symptom	Cause	Fix
Tool is locked out, but no fastener driven	Tool is equipped with a dryfire lock out feature to prevent tool from firing when there are no fasteners loaded. When the low nail indicator is visible, the tool is running low on fasteners.	Load fasteners into magazine
Jammed fastener	Wrong size or angle fasteners	Use only recommended fasteners
	Damaged or worn driver blade	Replace driver/return assembly; see authorized service center
	Material and fastener length too rigorous an application	Material or fastener length inappropriate
	Low battery charge or damaged battery	Charge or replace battery
	Debris in nosepiece	Clean nosepiece
	Debris in magazine	Clean magazine
	Worn magazine	Replace magazine; see authorized service center
Worn or damaged pusher spring	Replace spring; see authorized service center	

## Définitions : symboles et termes d'alarmes sécurité

Ces guides d'utilisation utilisent les symboles et termes d'alarmes sécurité suivants pour vous prévenir de situations dangereuses et de risques de dommages corporels ou matériels.



**DANGER** : indique une situation dangereuse imminente qui, si elle n'est pas évitée, **entraînera la mort ou des blessures graves**.



**AVERTISSEMENT** : indique une situation potentiellement dangereuse qui, si elle n'est pas évitée, **pourrait entraîner la mort ou des blessures graves**.



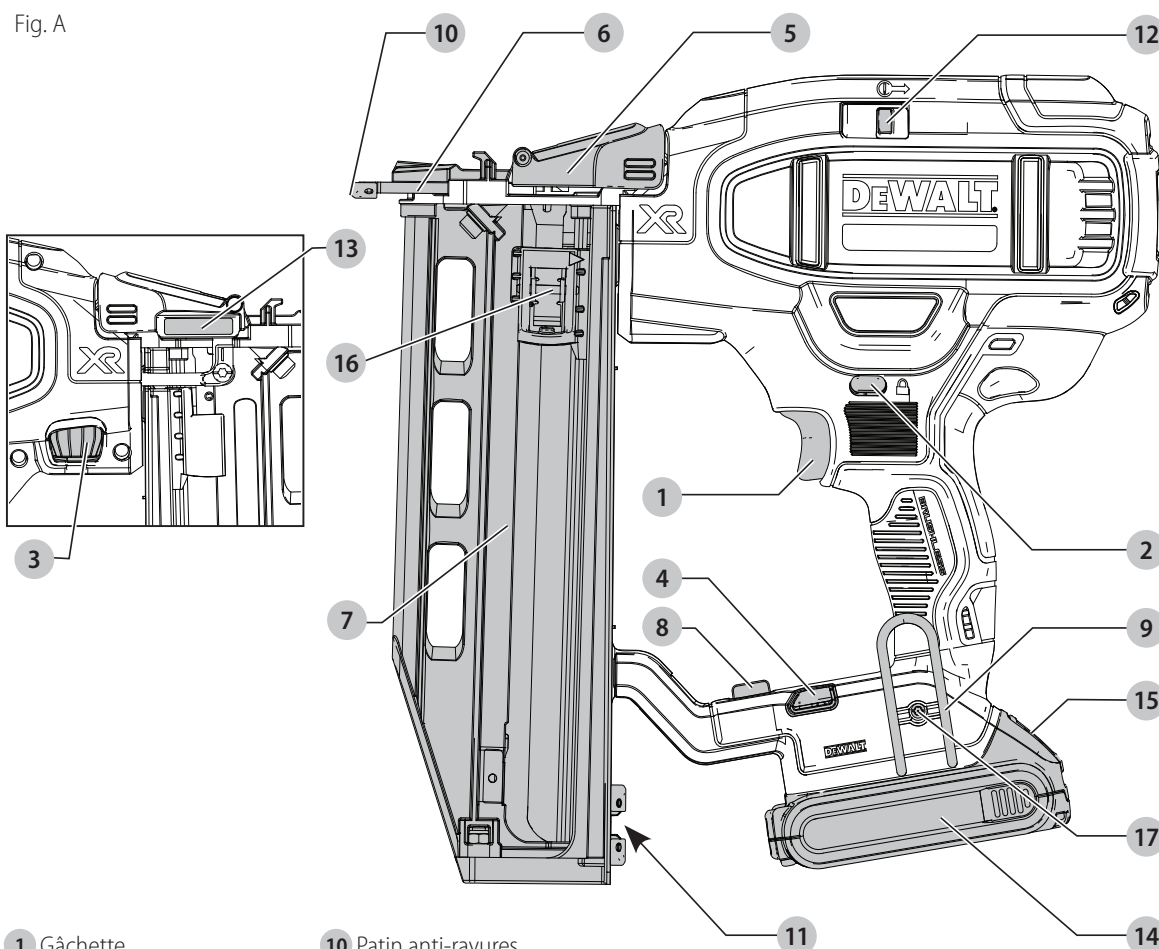
**ATTENTION** : indique une situation potentiellement dangereuse qui, si elle n'est pas évitée, **pourrait entraîner des blessures légères ou modérées**.



(Si utilisé sans aucun terme) Indique un message propre à la sécurité.

**AVIS** : indique une pratique ne posant **aucun risque de dommages corporels** mais qui par contre, si rien n'est fait pour l'éviter, **pourrait poser des risques de dommages matériels**.

Fig. A



- |   |  |
|---|--|
| 1 Gâchette                                      | 10 Patin anti-rayures                        |
| 2 Verrouillage de gâchette                      | 11 Espace de rangement du patin anti-rayures |
| 3 Molette de réglage de profondeur              | 12 Levier de désenrayage                     |
| 4 Système d'éclairage/voyant de charge/enrayage | 13 Index de profondeur de clou               |
| 5 Dispositif de désenrayage                     | 14 Bloc-piles                                |
| 6 Déclencheur par contact                       | 15 Bouton de libération du bloc-piles        |
| 7 Magasin à glissière                           | 16 Assemblage du poussoir                    |
| 8 Sélecteur de tir sur contact/séquentiel       | 17 Vis de l'agrafe pour courroie             |
| 9 Crochet de ceinture réversible                |  |



**AVERTISSEMENT** : lire tous les avertissements de sécurité et toutes les directives. Le non-respect des avertissements et des directives pourrait se solder par un choc électrique, un incendie et/ou une blessure grave.



**AVERTISSEMENT** : afin de réduire le risque de blessures, lire le mode d'emploi de l'outil.

**Pour toute question ou remarque au sujet de cet outil ou de tout autre outil DeWALT, composez le numéro sans frais : 1-800-4-DeWALT (1-800-433-9258).**

## AVERTISSEMENTS DE SÉCURITÉ GÉNÉRAUX POUR LES OUTILS ÉLECTRIQUES



**AVERTISSEMENT :** lisez tous les avertissements de sécurité, toutes les instructions, les illustrations et les caractéristiques fournis avec cet outil électrique. Ne pas suivre toutes les instructions comprises aux présentes peut conduire à un choc électrique, un incendie et/ou des blessures graves.

### CONSERVER TOUS LES AVERTISSEMENTS ET TOUTES LES DIRECTIVES POUR UN USAGE ULTÉRIEUR

Le terme « outil électrique » cité dans les avertissements se rapporte à votre outil électrique à alimentation sur secteur (avec fil) ou par piles (sans fil).

#### 1) Sécurité du lieu de travail

- a) **Tenir l'aire de travail propre et bien éclairée.**  
Les lieux encombrés ou sombres sont propices aux accidents.
- b) **Ne pas faire fonctionner d'outils électriques dans un milieu déflagrant, tel qu'en présence de liquides, de gaz ou de poussières inflammables.**  
Les outils électriques produisent des étincelles qui pourraient enflammer la poussière ou les vapeurs.
- c) **Éloigner les enfants et les personnes à proximité pendant l'utilisation d'un outil électrique.** Une distraction pourrait en faire perdre la maîtrise à l'utilisateur.

#### 2) Sécurité en matière d'électricité

- a) **Les fiches des outils électriques doivent correspondre à la prise. Ne jamais modifier la fiche d'aucune façon. Ne jamais utiliser de fiche d'adaptation avec un outil électrique mis à la terre.** Le risque de choc électrique sera réduit par l'utilisation de fiches non modifiées correspondant à la prise.
- b) **Éviter tout contact physique avec des surfaces mises à la terre comme des tuyaux, des radiateurs, des cuisinières et des réfrigérateurs.** Le risque de choc électrique est plus élevé si votre corps est mis à la terre.
- c) **Ne pas exposer les outils électriques à la pluie ou à l'humidité.** La pénétration de l'eau dans un outil électrique augmente le risque de choc électrique.
- d) **Ne pas utiliser le cordon de façon abusive. Ne jamais utiliser le cordon pour transporter, tirer ou débrancher un outil électrique. Tenir le cordon éloigné de la chaleur, de l'huile, des bords tranchants et des pièces mobiles.** Les cordons endommagés ou enchevêtrés augmentent les risques de choc électrique.
- e) **Pour l'utilisation d'un outil électrique à l'extérieur, se servir d'une rallonge convenant à cette application.** L'utilisation d'une rallonge conçue pour l'extérieur réduira les risques de choc électrique.

- f) **S'il est impossible d'éviter l'utilisation d'un outil électrique dans un endroit humide, brancher l'outil dans une prise ou sur un circuit d'alimentation dotés d'un disjoncteur de fuite à la terre (GFCI).** L'utilisation de ce type de disjoncteur réduit les risques de choc électrique.

#### 3) Sécurité personnelle

- a) **Être vigilant, surveiller le travail effectué et faire preuve de jugement lorsqu'un outil électrique est utilisé. Ne pas utiliser d'outil électrique en cas de fatigue ou sous l'influence de drogues, d'alcool ou de médicaments.** Un simple moment d'inattention en utilisant un outil électrique peut entraîner des blessures corporelles graves.
- b) **Utiliser des équipements de protection individuelle. Toujours porter une protection oculaire.** L'utilisation d'équipements de protection comme un masque antipoussière, des chaussures antidérapantes, un casque de sécurité ou des protecteurs auditifs lorsque la situation le requiert réduira les risques de blessures corporelles.
- c) **Empêcher les démarrages intempestifs. S'assurer que l'interrupteur se trouve à la position d'arrêt avant de relier l'outil à une source d'alimentation et/ou d'insérer un bloc-piles, de ramasser ou de transporter l'outil.** Transporter un outil électrique alors que le doigt repose sur l'interrupteur ou brancher un outil électrique dont l'interrupteur est à la position de marche risque de provoquer un accident.
- d) **Retirer toute clé de réglage ou clé avant de démarrer l'outil.** Une clé ou une clé de réglage attachée à une partie pivotante de l'outil électrique peut provoquer des blessures corporelles.
- e) **Ne pas trop tendre les bras. Conserver son équilibre en tout temps.** Cela permet de mieux maîtriser l'outil électrique dans les situations imprévues.
- f) **S'habiller de manière appropriée. Ne pas porter de vêtements amples ni de bijoux. Garder les cheveux, les vêtements et les gants à l'écart des pièces mobiles.** Les vêtements amples, les bijoux ou les cheveux longs risquent de rester coincés dans les pièces mobiles.
- g) **Si des composants sont fournis pour le raccordement de dispositifs de dépoussiérage et de ramassage, s'assurer que ceux-ci sont bien raccordés et utilisés.** L'utilisation d'un dispositif de dépoussiérage peut réduire les dangers engendrés par les poussières.
- h) **Ne pas laisser votre connaissance acquise suite l'utilisation fréquente des outils vous permettre de baisser la garde et ignorer les principes de sécurité de l'outil.** Un acte irréfléchi peut causer une blessure grave en une fraction de seconde.

#### 4) Utilisation et entretien d'un outil électrique

- a) **Ne pas forcer un outil électrique. Utiliser l'outil électrique approprié à l'application.** L'outil électrique approprié effectuera un meilleur travail, de façon plus sûre et à la vitesse pour laquelle il a été conçu.
- b) **Ne pas utiliser un outil électrique dont l'interrupteur est défectueux.** Tout outil électrique dont l'interrupteur est défectueux est dangereux et doit être réparé.
- c) **Débrancher la fiche de la source d'alimentation et/ou du bloc-piles de l'outil électrique avant de faire tout réglage ou changement d'accessoire ou avant de ranger l'outil.** Ces mesures préventives réduisent les risques de démarrage accidentel de l'outil électrique.
- d) **Ranger les outils électriques hors de la portée des enfants et ne permettre à aucune personne n'étant pas familière avec un outil électrique ou son mode d'emploi d'utiliser cet outil.** Les outils électriques deviennent dangereux entre les mains d'utilisateurs inexpérimentés.
- e) **Gardez les poignées et surfaces d'emprise propres et libres de tout produit lubrifiant. Vérifier si les pièces mobiles sont mal alignées ou coincées, si des pièces sont brisées ou présentent toute autre condition susceptible de nuire au bon fonctionnement de l'outil électrique. En cas de dommage, faire réparer l'outil électrique avant toute nouvelle utilisation.** Beaucoup d'accidents sont causés par des outils électriques mal entretenus.
- f) **S'assurer que les outils de coupe sont aiguisés et propres.** Les outils de coupe bien entretenus et affûtés sont moins susceptibles de se coincer et sont plus faciles à maîtriser.
- g) **Utiliser l'outil électrique, les accessoires, les forets, etc. conformément aux présentes directives en tenant compte des conditions de travail et du travail à effectuer.** L'utilisation d'un outil électrique pour toute opération autre que celle pour laquelle il a été conçu est dangereuse.
- h) **Garder vos mains et les surfaces de prise sèches, propres et libres de graisse et de poussière.** Les mains et les surfaces de prise glissantes ne permettent pas la manutention et le contrôle sécuritaires de l'outil dans les situations imprévues.

#### 5) Utilisation et entretien du bloc-piles

- a) **Ne recharger l'outil qu'au moyen du chargeur précisé par le fabricant.** L'utilisation d'un chargeur qui convient à un type de bloc-piles risque de provoquer un incendie s'il est utilisé avec un autre type de bloc-piles.
- b) **Utiliser les outils électriques uniquement avec les blocs-piles conçus à cet effet.** L'utilisation de tout autre bloc-piles risque de causer des blessures ou un incendie.

- c) **Lorsque le bloc-piles n'est pas utilisé, le tenir éloigné des objets métalliques, notamment des trombones, de la monnaie, des clés, des clous, des vis ou autres petits objets métalliques qui peuvent établir une connexion entre les deux bornes.** Le court-circuit des bornes du bloc-piles risque de provoquer des brûlures ou un incendie.
- d) **En cas d'utilisation abusive, le liquide peut gicler hors du bloc-piles; éviter tout contact avec ce liquide. Si un contact accidentel se produit, laver à grande eau. Si le liquide entre en contact avec les yeux, obtenir également des soins médicaux.** Le liquide qui gicle hors du bloc-piles peut provoquer des irritations ou des brûlures.
- e) **Ne pas utiliser un bloc-piles ou un outil qui est endommagé ou qui a été modifié.** Les piles endommagées ou modifiées peuvent avoir un comportement imprévisible entraînant un incendie, une EXPLOSION ou un risque de blessure.
- f) **Ne pas exposer le bloc-piles ou l'outil au feu ou à une température excessive.** L'exposition au feu ou à une température au-dessus de 130 °C (265°F) pourrait entraîner une explosion.
- g) **Suivez les instructions de recharge et ne pas recharger le bloc-piles ou l'outil hors de la plage de températures indiquée dans les instructions.** Recharger le BLOC-PILES de façon inappropriée ou hors des températures de la plage indiquée pourrait l'endommager et augmenter le risque d'incendie.

#### 6) Réparation

- a) **Faire réparer l'outil électrique par un réparateur professionnel en n'utilisant que des pièces de rechange identiques.** Cela permettra de maintenir une utilisation sécuritaire de l'outil électrique.
- b) **Ne jamais réparer des blocs-piles endommagés.** La réparation de BLOCS-PILES doit seulement être effectuée par le fabricant ou les fournisseurs de service autorisés.

#### Consignes de sécurité propres aux cloueurs

- **Assumer systématiquement que l'outil est chargé.** L'utilisation hasardeuse du cloueur pourra provoquer le tir accidentel d'attaches et causer des dommages corporels.
- **Ne jamais pointer l'outil vers soi-même ou toute autre personne à proximité.** Le déclenchement accidentel d'attaches causerait des dommages corporels.
- **Ne pas utiliser l'outil à moins qu'il ne soit appliqué fermement contre la pièce à travailler.** Dans le cas contraire, l'attache pourrait être détournée de sa cible.
- **Déconnecter l'outil de sa source de courant lorsqu'une attache est restée coincée dans l'outil.** Alors que l'on tente de retirer une attache bloquée, le marteau pourrait être activé accidentellement si l'outil restait branché.
- **Ne pas utiliser cet outil pour fixer des câbles électriques.** Il n'a pas été conçu pour installer des câbles

électriques et pourrait en endommager l'isolant et poser ainsi des risques de chocs électriques et d'incendies.

## Consignes de sécurité additionnelles propres aux cloueurs



**AVERTISSEMENT :** lors de l'utilisation de toute cloueuse, toutes les directives de sécurité, énoncées ci-après, doivent être respectées pour éviter tout risque de fatalité ou de dommages corporels graves. Lire et comprendre toutes ces directives avant d'utiliser cet outil.



**AVERTISSEMENT : NE JAMAIS** vaporiser, ou appliquer de toute autre façon, aucun lubrifiant ou solvant de nettoyage dans l'outil. Cela pourrait affecter sérieusement la durée de vie et les performances de l'outil.



**AVERTISSEMENT :** si l'outil est tombé, ou si l'on soupçonne qu'il est endommagé, effectuer sa vérification, comme expliqué dans la section sélection du mode du guide d'utilisation. Si l'outil ne fonctionne pas conformément au guide d'utilisation, arrêter son utilisation et le faire vérifier auprès d'un centre de réparation agréé dewalt.

- **Tenir l'outil par sa surface de prise isolée dans une situation où l'outil de coupe peut entrer en contact avec un câblage dissimulé.** Tout contact avec un fil « sous tension » mettra « sous tension » les pièces métalliques exposées de l'outil et électrocutera l'opérateur.
- **L'outil actionné pourrait projeter des débris, de la colle d'assemblage ou de la poussière, qui peuvent tous provoquer des lésions oculaires à l'opérateur.** L'opérateur et les autres personnes œuvrant dans la zone de travail DOIVENT porter des lunettes de sécurité munies de protecteurs latéraux. Ces lunettes de sécurité doivent être conformes aux exigences de la norme ANSI Z87.1 (les lunettes homologuées portent l'inscription « Z87 » imprimée ou estampillée). L'employeur a la responsabilité d'imposer le port d'un équipement de protection oculaire par l'opérateur de l'outil et toute personne se trouvant dans la zone immédiate de travail.
- **Toujours porter une protection auditive et toute autre protection convenable lors de l'utilisation de l'outil.** Dans certaines conditions, et selon la durée d'utilisation, le bruit provoqué par ce produit peut contribuer à une perte auditive.
- **Débrancher le bloc-piles de l'outil lorsque ce dernier est inutilisé. Toujours retirer le bloc-piles et les attaches du chargeur avant de quitter la zone de travail ou de passer l'outil à un autre opérateur.** Ne pas transporter l'outil vers une autre zone de travail qui comprend des échafaudages, des marches, des échelles etc., avec le bloc-piles inséré. Ne pas effectuer de réglages, d'entretien ou retirer des attaches coincées avec le bloc-piles inséré.
- **Ne pas retirer, altérer, ou rendre de quelque manière que ce soit l'outil, la gâchette ou le verrouillage de gâchette inopérant.** Ne pas coller ou attacher l'interrupteur ou le déclencheur par contact en position « ON » (Marche). Ne pas retirer le ressort du déclencheur par contact. Vérifier quotidiennement que le mouvement de la gâchette et du déclencheur par contact est libre. Une décharge incontrôlée pourrait en résulter.
- **Inspecter l'outil avant toute utilisation. Ne pas utiliser l'outil si une portion quelconque de l'outil, de la gâchette, du verrouillage de gâchette ou du déclencheur par contact est inopérante, déconnectée, modifiée ou ne fonctionne pas correctement.** Toute pièce endommagée ou manquante doit être réparée ou remplacée avant toute nouvelle utilisation. Se reporter à la rubrique Réparations.
- **Ne pas altérer ou modifier l'outil en aucune façon.**
- **Assumer systématiquement que l'outil est chargé.**
- **Ne jamais pointer l'outil vers soi-même ou autrui.** L'outil n'est pas un jouet ! Travailler en toute sécurité ! Respecter l'appareil en tant qu'outil de travail.
- **Tenir les enfants, les visiteurs ou toute autre personne à l'écart pendant l'utilisation d'un outil électrique; toute distraction pourrait faire perdre la maîtrise de l'appareil.** Après utilisation, verrouiller l'outil hors de la portée des enfants dans un endroit sûr.
- **Ne pas transporter l'outil d'un endroit à l'autre avec le doigt sur la gâchette.** Une décharge accidentelle pourrait en résulter.
- **Activer systématiquement le verrouillage de gâchette lorsque l'utilisation de l'outil n'est pas immédiate.** Le fait d'activer le verrouillage de gâchette préviendra toute décharge accidentelle.
- **Ne pas trop tendre les bras.** Conserver son équilibre en tout temps. Une perte d'équilibre risque d'entraîner une blessure corporelle.
- **Utiliser l'outil uniquement pour les travaux pour lesquels il a été conçu. Ne pas décharger les attaches à l'air libre ou dans des matériaux trop durs comme le béton, la pierre, le bois très dur, les nœuds ou toute autre matière trop difficile à pénétrer. Ne pas utiliser le corps de l'outil ou son couvercle supérieur comme marteau. Les attaches éjectées peuvent suivre une trajectoire inattendue et provoquer des blessures.**
- **Toujours prendre soin d'éloigner les doigts du déclencheur par contact pour prévenir une blessure en cas de relâchement involontaire du poussoir**
- **Se reporter à la rubrique Entretien et Réparations pour obtenir de plus amples renseignements sur l'entretien approprié de l'outil.**
- **Toujours utiliser l'outil dans un endroit propre et éclairé.** S'assurer que la surface de travail est exempte de débris et prendre soin de ne pas perdre l'équilibre lors de travaux en hauteur, comme sur un toit.
- **Ne pas enfoncer d'attaches près du bord de la pièce.** La pièce risque de se fendre, faire ricocher l'attache et blesser l'opérateur ou un collègue de travail. Il est possible que le clou suive le fil du bois et sorte inopinément sur le côté de la pièce. Enfoncer la pointe biseauté du clou perpendiculairement au fil du bois pour réduire le risque de blessures.

- Ne pas enfoncer de clous sur les têtes d'autres attaches ou avec l'outil à un angle trop aigu. Ceci pourrait causer une blessure corporelle provoquée par un recul, un coincement d'attache ou un ricochet de clou.
- **Garder les mains et les parties du corps éloignées de la zone immédiate de travail.** Le cas échéant, tenir la pièce à l'aide de serres pour protéger les mains et le corps de dangers potentiels. S'assurer que la pièce est bien fixe avant d'appuyer la cloueuse contre celle-ci. La force du déclencheur peut entraîner le déplacement inopiné de la pièce.
- **Ne pas utiliser d'outil en présence de poussière, de gaz ou d'émanations inflammables.** L'outil peut générer une étincelle qui risque d'enflammer les gaz, provoquant ainsi un incendie. Une étincelle pourrait également être produite si un clou est enfoncé sur un autre clou.
- **Tenir le visage et le corps à l'écart de l'arrière du couvercle de l'outil lors de travaux dans des endroits d'accès limité.** En effet, un recul inopiné peut entraîner un impact au corps, particulièrement lors d'un clouage dans une matière dure ou dense.
- Maintenir l'outil fermement pour conserver son contrôle tout en permettant à l'outil de rebondir de la surface à travailler alors que l'attache est enfoncée. En mode par contact, si on laisse la butée de déclenchement retoucher la surface de travail avant de relâcher la gâchette, une attache non désirée sera enfoncée sur l'emplacement du déclenchement.
- Le choix de la méthode de déclenchement est important. Consulter le manuel pour connaître les options de déclenchement.

### Sélecteur de tir sur contact/séquentiel

#### Tir séquentiel ↗

- **Pendant l'utilisation de l'outil en mode séquentiel, ne pas activer la gâchette à moins qu'il ne soit fermement appliqué contre la pièce à travailler.**

#### Déclenchement par contact ↘

- **Pendant l'utilisation de l'outil avec le déclenchement par contact, faire attention à tout doublement de tir involontaire causé par le recul de l'outil.**

Des clous non désirés pourraient être tirés si on laissait le déclencheur par contact entrer en contact accidentellement avec la surface de travail.

### pour éviter les tirs DOUBLES :

- Ne pas appliquer une trop grande force avec l'outil sur la surface de travail;
- Laisser l'outil reculer pleinement après chaque tir;
- Utiliser l'outil en mode séquentiel.
- **En mode de déclenchement par contact, maintenir systématiquement le contrôle de la cloueuse de finition.** Une position incorrecte de l'outil pourra provoquer la libération accidentelle d'un clou.
- **Ne pas enfoncer de clous sur la tête de toute autre attache.** Un recul puissant, le blocage d'attaches ou un ricochet des clous pourrait en résulter.

- **Vérifier l'épaisseur du matériau avant d'utiliser la cloueuse.** Un clou en dépassant pourrait causer des blessures.
- **Réglage de profondeur : pour réduire tout risque de dommages corporels graves causés par le fonctionnement accidentel de l'appareil lors du réglage de profondeur, SYSTÉMATIQUEMENT :**
  - Retirer le bloc-piles;
  - Enclencher le verrouillage de gâchette;
  - Éviter tout contact avec la gâchette pendant le réglage.
- **Ne pas enfoncer des clous à l'aveuglette dans les murs, les planchers et autres zones de travail.** Des attaches enfoncées dans des fils électriques sous tension, de la plomberie ou d'autres types d'obstacles peuvent entraîner des blessures.
- **Rester vigilant, faire attention au travail en cours et faire preuve de jugement dans l'utilisation de tout outil électrique. Ne pas utiliser d'outil en cas de fatigue ou sous l'emprise de drogues, d'alcool ou de médicaments.** Un simple moment d'inattention en utilisant un outil électrique peut entraîner des blessures graves.

### Consigne de sécurité supplémentaire



**AVERTISSEMENT :** porter **SYSTEMATIQUÉMENT** des lunettes de protection. Les lunettes courantes NE sont PAS des lunettes de protection. Utiliser aussi un masque antipoussières si la découpe doit en produire beaucoup. **PORTER SYSTÉMATIQUEMENT UN ÉQUIPEMENT DE SÉCURITÉ HOMOLOGUÉ :**

- Protection oculaire ANSI Z87.1 (CAN/CSA Z94.3);
- Protection auditive ANSI S12.6 (S3.19);
- Protection des voies respiratoires NIOSH/OSHA/MSHA.



**AVERTISSEMENT :** les scies, meules, ponceuses, perceuses ou autres outils de construction peuvent produire des poussières contenant des produits chimiques reconnus par l'État californien pour causer cancers, malformations congénitales ou être nocifs au système reproducteur. Parmi ces produits chimiques, on retrouve :


- Le plomb dans les peintures à base de plomb ;
- La silice cristallisée dans les briques et le ciment, ou autres produits de maçonnerie ; et
- L'arsenic et le chrome dans le bois ayant subi un traitement chimique.


Le risque associé à de telles expositions varie selon la fréquence à laquelle on effectue ces travaux. Pour réduire toute exposition à ces produits : travailler dans un endroit bien aéré, en utilisant du matériel de sécurité homologué, tel un masque antipoussières spécialement conçu pour filtrer les particules microscopiques.


- **Limitier toute exposition prolongée avec les poussières provenant du ponçage, sciage, meulage, perçage ou toute autre activité de construction.**

## FRANÇAIS

**Porter des vêtements de protection et nettoyer à l'eau savonneuse les parties du corps exposées.** Le fait de laisser la poussière pénétrer dans la bouche, les yeux ou la peau peut favoriser l'absorption de produits chimiques dangereux.




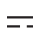










 **AVERTISSEMENT :** cet outil peut produire et/ou répandre de la poussière susceptible de causer des dommages sérieux et permanents au système respiratoire. Utiliser systématiquement un appareil de protection des voies respiratoires homologué par le NIOSH ou l'OSHA. Diriger les particules dans le sens opposé au visage et au corps.

 **AVERTISSEMENT :** pendant l'utilisation, porter systématiquement une protection auditive individuelle adéquate homologuée ANSI S12.6 (S3.19). Sous certaines conditions et suivant la durée d'utilisation, le bruit émanant de ce produit pourrait contribuer à une perte de l'acuité auditive.

 **ATTENTION :** après utilisation, ranger l'outil sur son côté, sur une surface stable, là où il ne pourra ni faire trébucher ni faire chuter quelqu'un. Certains outils équipés d'un large bloc-piles peuvent tenir à la verticale sur celui-ci, mais manquent alors de stabilité.

- **Prendre des précautions à proximité des événements, car ils cachent des pièces mobiles.** Vêtements amples, bijoux ou cheveux longs risquent de rester coincés dans ces pièces mobiles.

L'étiquette apposée sur votre outil peut inclure les symboles suivants. Les symboles et leur définition sont indiqués ci-après :

V .....	volts		or AC.....	courant alternatif
Hz .....	hertz		or AC/DC....	courant alternatif ou continu
min .....	minutes		.....	fabrication classe II (double isolation)
 or DC.....	courant continu		.....	(mis à la terre)
 .....	fabrication classe I	$n_0$ .....	.....	vitesse à vide
...../min.....	par minute	n .....	.....	vitesse nominale
BPM.....	batttements par minute		.....	borne de terre
IPM.....	impacts par minute		.....	symbole d'avertissement
RPM.....	révolutions par minute		.....	radiation visible
sfpm .....	pieds linéaires par minute (plpm)		.....	protection respiratoire
SPM (FPM) .....	fréquence par minute		.....	protection oculaire
A.....	ampères		.....	protection auditive
W.....	watts		.....	lire toute la documentation
 .....	capacité du mode activation par contact			


## BLOCS-PILES ET CHARGEURS

Le bloc-piles n'est pas totalement chargé d'usine. Avant d'utiliser le bloc-piles et le chargeur, lire les consignes de sécurité ci-après puis suivre la procédure de chargement

indiquée. Pour commander un bloc-piles de rechange, s'assurer d'en inclure le numéro de catalogue et la tension. Cet outil fonctionne avec un chargeur DEWALT. S'assurer de bien lire toutes les consignes de sécurité avant toute utilisation du chargeur. Consulter le tableau en fin de manuel pour connaître les compatibilités entre chargeurs et blocs-piles.

### LIRE TOUTES LES CONSIGNES

## Consignes importantes de sécurité les blocs-piles

 **AVERTISSEMENT :** lire toutes les instructions et toutes les consignes de sécurité propres au bloc-piles, au chargeur et à l'outil électrique. Tout manquement aux avertissements et instructions pose des risques de décharges électriques, d'incendie et/ou de blessures graves.

- **Ne pas recharger ou utiliser un bloc-piles en milieu déflagrant, en présence, par exemple, de poussières, gaz ou liquides inflammables.** Le fait d'insérer ou retirer un bloc-piles de son chargeur pourrait causer l'inflammation de poussières ou d'émanations.
- **NE JAMAIS forcer l'insertion d'un bloc-piles dans un chargeur. NE modifier un bloc-piles d'AUCUNE façon pour le faire rentrer dans un chargeur incompatible, car il pourrait se briser et causer des dommages corporels graves.** Consulter le tableau en dernière page de ce manuel pour connaître les compatibilités entre chargeurs et blocs-piles.
- Recharger les blocs-piles exclusivement dans des chargeurs DEWALT.
- **NE PAS** éclabousser le bloc-piles ou l'immerger dans l'eau ou dans tout autre liquide.
- **Ne pas entreposer ou utiliser l'appareil et le bloc-piles en présence de températures ambiantes pouvant excéder 40 °C (104 °F) (comme dans des hangars ou des bâtiments métalliques l'été).** Pour préserver leur durée de vie, entreposer les blocs-piles dans un endroit frais et sec.

**REMARQUE :** ne pas mettre un bloc-piles dans un outil dont la gâchette est verrouillée en position de marche. Ne jamais bloquer l'interrupteur en position de MARCHÉ.

- **Ne pas incinérer le bloc-piles même s'il est sévèrement endommagé ou complètement usagé, car il pourrait exploser et causer un incendie.** Pendant l'incinération des blocs-piles au lithium-ion, des vapeurs et matières toxiques sont dégagées.
- **En cas de contact du liquide de la pile avec la peau, rincer immédiatement au savon doux et à l'eau.** En cas de contact oculaire, rincer l'œil ouvert à l'eau claire une quinzaine de minutes ou jusqu'à ce que l'irritation cesse. Si des soins médicaux s'avéraient nécessaires, noter que l'électrolyte de la pile est composé d'un mélange de carbonates organiques liquides et de sels de lithium.
- **Le contenu des cellules d'une pile ouverte peut causer une irritation respiratoire.** En cas d'inhalation,



exposer l'individu à l'air libre. Si les symptômes persistent, consulter un médecin.

**AVERTISSEMENT** : risques de brûlure. Le liquide de la pile peut s'enflammer s'il est exposé à des étincelles ou à une flamme.

**AVERTISSEMENT** : risques d'incendie. Ne jamais tenter d'ouvrir le bloc-piles pour quelque raison que ce soit. Si le boîtier du bloc-piles est fissuré ou endommagé, ne pas l'insérer dans un chargeur. Ne pas écraser, laisser tomber, ou endommager les blocs-piles. Ne pas utiliser un bloc-piles ou un chargeur qui a reçu un choc violent, ou si l'appareil est tombé, a été écrasé ou endommagé de quelque façon que ce soit (p. ex. percé par un clou, frappé d'un coup de marteau, piétiné). Les blocs-piles endommagés doivent être renvoyés à un centre de réparation pour y être recyclés.

## Transport

**AVERTISSEMENT** : risques d'incendie. Au moment de ranger ou transporter le bloc-piles, veiller à protéger ses bornes à découvert de tout objet métallique. Par exemple, éviter de placer le bloc-piles dans un tablier, une poche, une boîte à outils ou un tiroir, etc. contenant des objets tels que clous, vis, clés, etc. **Le fait de transporter des blocs-piles comporte des risques d'incendie, car les bornes des piles pourraient entrer, par inadvertance, en contact avec des objets conducteurs, tels que : clés, pièces de monnaie, outils ou autres.**

La réglementation sur les produits dangereux (Hazardous Material Regulations) du département américain des transports interdit, en fait, le transport des blocs-piles dans les commerces ou dans les avions dans les bagages de cabine, À MOINS qu'ils ne soient correctement protégés de tout court-circuit. Aussi lors du transport individuel de blocs-piles, s'assurer que leurs bornes sont bien protégées et isolées de tout matériau pouvant entrer en contact avec elles et provoquer un court-circuit.

**REMARQUE** : il ne faut pas laisser de piles au lithium-ion dans les bagages enregistrés.

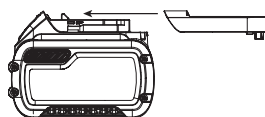
## Expédition du bloc-piles DEWALT FLEXVOLT™C

Le bloc-piles DEWALT FLEXVOLT™C possède deux modes :

### Utilisation et Expédition.

**Mode Utilisation** : lorsque le bloc-piles FLEXVOLT™C est par lui-même ou dans un produit DEWALT 20V max\*, il fonctionnera comme un bloc-piles de 20V max\*. Lorsque le bloc-piles FLEXVOLT™C est dans un produit de 60V max\* ou 120V max\* (deux blocs-piles de 60V max\*), il fonctionnera comme un bloc-piles de 60V max\*.

**Mode Expédition** : lorsque le capuchon est inséré sur le bloc-piles FLEXVOLT™C, le bloc-piles est en mode Expédition. Les modules de cellules sont électriquement déconnectés du bloc faisant correspondre à trois blocs-piles d'un wattheure (Wh) inférieur comparé à un bloc-piles de wattheure élevé. Ce



passage à trois blocs-piles à un wattheure inférieur peut permettre au bloc-piles d'être exempté de suivre certaines directives d'expédition imposées sur les blocs-piles de wattheure supérieur.

L'étiquette du bloc-piles donne deux estimations de wattheures (se reporter à l'exemple). Selon comment le bloc-piles est expédié, l'estimation appropriée de wattheure doit être utilisée pour déterminer les modalités d'expédition lui correspondant. Si le capuchon d'expédition est utilisé, le bloc-piles sera considéré comme 3 blocs-piles au wattheure indiqué pour « Expédition ». S'il est expédié sans le capuchon ou dans un outil, le bloc-piles sera considéré comme un seul bloc-piles au wattheure indiqué à côté de « Utilisation ».

Exemple d'étiquetage d'utilisation et d'expédition

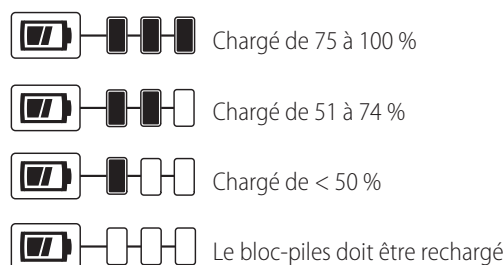
**USE: 120 Wh Shipping: 3 x 40 Wh**

Par exemple, le Wh de expédition pourra indiquer 3 x 40 Wh, ce qui correspond à 3 blocs-piles de 40 wattheures chacun. L'utilisation du Wh pourra indiquer 120 Wh (sous-entendu 1 bloc-piles).

## Témoin de Charge du Bloc-Piles (Fig. B)

Certains blocs-piles DEWALT possèdent un témoin de charge qui consiste en trois voyants Del verts indiquant le niveau de charge du bloc-piles.

Le témoin de charge indique approximativement le niveau de charge restant dans le bloc-piles en fonction des voyants suivants :



Pour activer le témoin de charge, maintenez appuyé le bouton du témoin de charge. Une combinaison des trois voyants Del verts s'allumera indiquant le niveau de charge. Lorsque le niveau de charge du bloc-pile atteint la limite minimale d'utilisation, le témoin de charge reste éteint et le bloc-piles doit être rechargé.

Fig. B



**REMARQUE** : le témoin de charge ne fait qu'indiquer le niveau de charge du bloc-piles. Il ne donne aucune indication quant au fonctionnement de l'outil. Son propre fonctionnement pourra aussi varier en fonction des composants produit, de la température et de l'application d'utilisation.

Pour plus d'informations quant au témoin de charge de bloc-piles, veuillez appeler le 1-800-4-DEWALT (1-800-433-9258) ou vous rendre sur notre site [www.dewalt.com](http://www.dewalt.com).

## Le sceau SRPRC®

Le sceau SRPRC® (Société de recyclage des piles rechargeables du Canada) apposé sur une pile au nickel-cadmium, à hydrure métallique de nickel ou au lithium-ion (ou un bloc-piles) indique que les coûts de recyclage de ces derniers en fin d'utilisation ont déjà été réglés par DEWALT. Dans certaines régions, la mise au rebut ou aux ordures municipales des piles au nickel-cadmium, à l'hydrure métallique de nickel ou au lithium-ion, est illégale ; le programme de l'Appel à Recycler® constitue donc une solution pratique et écologique.



Appel à Recycler Canada, Inc., en collaboration avec DEWALT et d'autres utilisateurs de piles, a mis sur pied de programme aux États-Unis et au Canada pour faciliter la collecte des piles au nickel-cadmium, à l'hydrure métallique de nickel ou au lithium-ion usagées. Aidez-nous à protéger l'environnement et à conserver nos ressources naturelles en renvoyant les piles au nickel-cadmium, à l'hydrure métallique de nickel ou au lithium-ion usagées à un centre de réparation autorisé DEWALT ou chez votre détaillant afin qu'elles y soient recyclées. On peut en outre se renseigner auprès d'un centre de recyclage local pour connaître d'autres sites les acceptant.

SRPRC® est une marque déposée de l'Appel à Recycler Canada, Inc.

## Directives de sécurité importantes propres à tous les chargeurs de piles



**AVERTISSEMENT : lire toutes les instructions et toutes les consignes de sécurité propres au bloc-piles, au chargeur et à l'outil électrique. Tout manquement aux avertissements et instructions pose des risques de décharges électriques, d'incendie et/ou de blessures graves.**

- **NE PAS tenter de charger de bloc-piles avec des chargeurs autres que ceux décrits dans ce manuel.** Le chargeur et son bloc-piles ont été conçus tout spécialement pour fonctionner ensemble.
- **Ces chargeurs n'ont pas été conçus pour une utilisation autre que recharger les blocs-piles rechargeables DEWALT.** Toute autre utilisation comporte des risques d'incendie, de chocs électriques ou d'électrocution.
- **Protéger le chargeur de la pluie ou de la neige.**
- **Tirer sur la fiche plutôt que sur le cordon pour débrancher le chargeur.** Cela permet de réduire les risques d'endommager la fiche ou le cordon d'alimentation.
- **S'assurer que le cordon est protégé de manière à ce que personne ne marche ni ne trébuché dessus, ou à ce qu'il ne soit ni endommagé ni soumis à aucune tension.**
- **N'utiliser une rallonge qu'en cas de nécessité absolue.** L'utilisation d'une rallonge inadéquate comporte des risques d'incendie, de chocs électriques ou d'électrocution.
- **Pour utiliser un chargeur à l'extérieur, le placer dans un endroit sec et utiliser une rallonge conçue pour l'extérieur.** L'utilisation d'une rallonge conçue pour l'extérieur réduit les risques de chocs électriques.
- **Pour la sécurité de l'utilisateur, utiliser une rallonge de calibre adéquat (AWG, American Wire Gauge [calibrage américain normalisé des fils électriques]).** Plus le calibre est petit, et plus sa capacité est grande. Un calibre 16, par exemple, a une capacité supérieure à un calibre 18. L'usage d'une rallonge de calibre insuffisant causera une chute de tension qui entraînera perte de puissance et surchauffe. Si plus d'une rallonge est utilisée pour obtenir une certaine longueur, s'assurer que chaque rallonge présente au moins le calibre de fil minimum. Le tableau ci-dessous illustre les calibres à utiliser selon la longueur de rallonge et l'intensité nominale indiquée sur la plaque signalétique. En cas de doute, utiliser le calibre suivant. Plus le calibre est petit, plus la rallonge peut supporter de courant.

### Calibre minimum pour les cordons d'alimentation

Volts	Longueur totale du cordon d'alimentation en mètre (pieds)				
	120 V	7,6 (25)	15,2 (50)	30,5 (100)	45,7 (150)
240 V	15,2 (50)	30,5 (100)	61,0 (200)	91,4 (300)	
Ampères		AWG			
Plus que	Pas plus que				
0	6	18	16	16	14
6	10	18	16	14	12
10	12	16	16	14	12
12	16	14	12	Non recommandé	

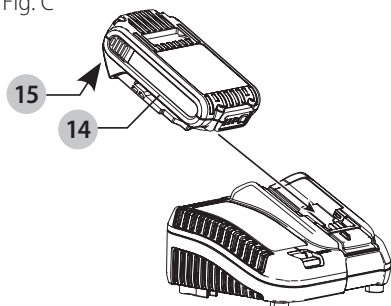
- **Ne poser aucun objet sur le chargeur. Ne pas mettre le chargeur sur une surface molle qui pourrait en bloquer la ventilation et provoquer une surchauffe interne.** Éloigner le chargeur de toute source de chaleur. Le chargeur dispose d'orifices d'aération sur le dessus et le dessous du boîtier.
- **Ne pas le faire fonctionner avec un cordon d'alimentation ou une fiche endommagée.**
- **Ne pas utiliser le chargeur s'il a reçu un coup, fait une chute ou a été endommagé de quelque façon que ce soit.** Le ramener dans un centre de réparation agréé.
- **Ne pas démonter le chargeur. Pour tout service ou réparation, le rapporter dans un centre de réparation agréé.** Le fait de le réassembler de façon incorrecte comporte des risques de chocs électriques, d'électrocution et d'incendie.
- **Débrancher le chargeur du secteur avant tout entretien. Cela réduira tout risque de chocs électriques.** Le fait de retirer le bloc-piles ne réduira pas ces risques.
- **NE JAMAIS tenter de connecter 2 chargeurs ensemble.**
- **Le chargeur a été conçu pour être alimenté en courant électrique domestique standard de 120 volts. Ne pas tenter de l'utiliser avec toute autre tension.** Cela ne s'applique pas aux chargeurs de postes mobiles.

- AVERTISSEMENT :** risques de chocs électriques. Ne laisser aucun liquide pénétrer dans le chargeur, des chocs électriques pourraient en résulter.
- AVERTISSEMENT :** risques de brûlure. Ne submerger le bloc-piles dans aucun liquide et le protéger de toute infiltration de liquide. Ne jamais tenter d'ouvrir le bloc-piles pour quelque raison que ce soit. Si le boîtier plastique du bloc-piles est brisé ou fissuré, le retourner dans un centre de réparation pour y être recyclé.
- ATTENTION :** risques de brûlure. Pour réduire tout risque de dommages corporels, ne recharger que des blocs-piles rechargeables DEWALT. Tout autre type de piles pourrait exploser et causer des dommages corporels et matériels.
- ATTENTION :** sous certaines conditions, lorsque le chargeur est connecté au bloc d'alimentation, des matériaux étrangers pourraient court-circuiter le chargeur. Les corps étrangers conducteurs tels que (mais pas limité à) poussières de rectification, débris métalliques, laine d'acier, feuilles d'aluminium, ou toute accumulation de particules métalliques doivent être maintenus à distance des orifices du chargeur. Débrancher systématiquement le chargeur lorsque le bloc-piles n'y est pas inséré. Débrancher systématiquement le chargeur avant tout entretien.

## Chargement du bloc-piles (Fig. C)

1. Branchez le chargeur dans la prise appropriée avant d'insérer le bloc-piles.

Fig. C



2. Insérer le bloc-piles **14** dans le chargeur, en vous assurant qu'il y est correctement calé. Le voyant rouge (charge) clignotera de façon continue indiquant que le cycle de chargement a commencé.
3. En fin de charge, le voyant rouge restera ALLUMÉ de façon continue. Le bloc-piles est alors complètement rechargé et peut être utilisé ou laissé dans le chargeur. Pour retirer le bloc-piles du chargeur, appuyez sur le bouton de libération du bloc-piles **15** sur le bloc-piles.

**REMARQUE :** pour assurer des performances optimales et une durée de vie maximale des blocs-piles au lithium-ion, recharger pleinement le bloc-piles avant toute utilisation initiale.

## Utilisation du chargeur

Reportez-vous aux indications du tableau ci-dessous pour consulter le statut de charge du bloc-piles.

DCB107, DCB112, DCB113, DCB115, DCB118, DCB132

	Bloc-piles en Cours de Chargement	
	Bloc-piles Chargé	
	Suspension de Charge Contre le Chaud/Froid*	

### \*DCB107, DCB112, DCB113, DCB115, DCB118, DCB132:

le voyant rouge ne cessera de clignoter, mais un voyant jaune restera allumé pendant cette opération. Lorsque le bloc-piles aura repris une température appropriée, le voyant jaune s'éteindra et le chargeur reprendra sa procédure de charge.

Le chargeur ne pourront recharger des blocs-piles défectueux. Le chargeur indiquera qu'un bloc-piles est défectueux en refusant de s'allumer.

**REMARQUE :** cela pourra aussi indiquer un problème avec le chargeur.

Si le problème provient du chargeur, faites vérifier le chargeur et le bloc-piles chez un centre de réparation agréé.

### Fonction de suspension de charge contre le chaud/froid

Lorsque le chargeur détecte un bloc-piles trop chaud ou trop froid, il démarre automatiquement la fonction de suspension de charge contre le chaud, suspendant le chargement jusqu'à ce que le bloc-piles ait repris une température appropriée. Le chargeur ensuite se remettra automatiquement en mode de chargement. Cette caractéristique assure aux blocs-piles une durée de vie maximale.

Un bloc-piles froid se rechargera moins vite qu'un bloc-piles chaud. Le bloc-piles se rechargera à ce rythme plus lent tout au cours du cycle de charge et ne retournera pas à sa vitesse maximale de charge même s'il venait à se réchauffer.

Le chargeur DCB118 est équipé d'un ventilateur interne destiné à refroidir le bloc-piles. Le ventilateur se mettra automatiquement en marche chaque fois que le bloc-piles aura besoin de se refroidir.

N'utilisez jamais le chargeur si le ventilateur ne fonctionne pas correctement ou si ses fentes d'aération sont bloquées. Protégez systématiquement l'intérieur du chargeur de tout objet étranger.

### Système de protection électronique

Les appareils au Li-Ion sont équipés d'un système électronique de protection pour protéger les blocs-piles de toute surcharge, surchauffe ou fuite importante.

L'appareil s'arrêtera automatiquement dès que le système électronique de protection sera activé. Si c'était le cas, placez le bloc-piles au lithium-ion sur son chargeur jusqu'à ce qu'il soit complètement rechargé.

## Installation murale

DCB107, DCB112, DCB113, DCB115, DCB118, DCB132

Ces chargeurs ont été conçus pour une installation murale ou pour être posés sur une table ou une surface de travail. Pour une fixation murale, installez le chargeur à proximité

## FRANÇAIS

d'une prise électrique, et à l'écart de coins ou de toute autre obstruction au passage de l'air. Utilisez l'arrière du chargeur pour marquer l'emplacement des vis de montage sur le mur. Fixez soigneusement le chargeur à l'aide de vis autoforeuses (vendues séparément) d'au moins 25,4 mm (1 po) de long, et de diamètre de tête de 7-9 mm (0,28-0,35 po), que vous visserez dans le bois en laissant une longueur optimale d'environ 5,5 mm (7/32 po) exposée. Alignez les orifices à l'arrière du chargeur sur les vis exposées et insérez à fond ces dernières dans les orifices.

### Instructions d'entretien du chargeur



**AVERTISSEMENT :** *risques de chocs électriques. Débrancher le chargeur de la prise de courant alternatif avant tout entretien. Éliminer toute saleté ou graisse de la surface externe du chargeur à l'aide d'un chiffon ou d'une brosse non métallique douce. N'utiliser ni eau ni aucun nettoyeur liquide.*

### Remarques importantes concernant le chargement

1. Pour augmenter la durée de vie du bloc-piles et optimiser son rendement, le recharger à une température ambiante de 18 ° à 24 °C (65 °F à 75 °F). NE PAS charger lorsque le bloc-piles est en dessous de +4,5 °C (+40°F) ou au-dessus de +40 °C (+104 °F). C'est important pour prévenir tout dommage sérieux au bloc-piles.
2. Le chargeur et son bloc-piles peuvent devenir chauds au toucher pendant la charge. C'est normal et ne représente en aucun cas une défaillance du produit. Pour faciliter le refroidissement du bloc-piles après utilisation, éviter de laisser le chargeur ou le bloc-piles dans un local où la température ambiante est élevée comme dans un hangar métallique ou une remorque non isolée.
3. Si le bloc-piles ne se recharge pas correctement :
  - a. Vérifier le bon fonctionnement de la prise en y branchant une lampe ou tout autre appareil électrique.
  - b. Vérifier que la prise n'est pas contrôlée par un interrupteur qui coupe le courant lorsqu'on éteint les lumières.
  - c. Déplacer le chargeur et le bloc-piles dans un local où la température ambiante se trouve entre environ 18 ° et 24 °C (65 °F et 75 °F).
  - d. Si le problème persiste, amener l'outil, le bloc-piles et son chargeur dans un centre de réparation local.
4. Recharger le bloc-piles lorsqu'il ne produit plus assez de puissance pour effectuer un travail qu'il faisait facilement auparavant. NE PAS CONTINUER à l'utiliser dans ces conditions. Suivre la procédure de charge. Si nécessaire, il est aussi possible de recharger un bloc-piles partiellement déchargé sans effet nuisible sur le bloc-piles.
5. Les corps étrangers conducteurs tels que (mais pas limité à) poussières de rectification, débris

métalliques, laine d'acier, feuilles d'aluminium, ou toute accumulation de particules métalliques doivent être maintenus à distance des orifices du chargeur. Débrancher systématiquement le chargeur lorsque le bloc-piles n'y est pas inséré. Débrancher systématiquement le chargeur avant tout entretien.

6. Ne pas congeler ou immerger le chargeur dans l'eau ou tout autre liquide.

### Recommandations de stockage

1. Le lieu idéal de rangement est un lieu frais et sec, à l'abri de toute lumière solaire directe et de toute température excessive.
2. Pour un stockage prolongé, il est recommandé d'entreposer le bloc-piles pleinement chargé dans un lieu frais et sec, hors du chargeur pour optimiser les résultats.

**REMARQUE :** les blocs-piles ne devraient pas être entreposés complètement déchargés. Il sera nécessaire de recharger le bloc-piles avant réutilisation.

### CONSERVER CES CONSIGNES POUR UTILISATION ULTÉRIEURE

### DESCRIPTION (FIG. A)



**AVERTISSEMENT :** *ne jamais modifier l'outil électrique ni aucun de ses composants, car il y a risques de dommages corporels ou matériels.*

Reportez-vous en Figure A au début de ce manuel pour obtenir la liste complète des composants.

### Usage Prévu

Votre cloueuse de finition sans fil a été conçue pour enfoncer des clous dans des pièces en bois.

**NE PAS** les utiliser en milieu ambiant humide ou en présence de liquides ou de gaz inflammables.

Votre cloueuse de finition sans fil est un outil électrique de professionnels.

**NE PAS** le laisser à la portée des enfants. Une supervision est nécessaire auprès de tout utilisateur non expérimenté.

#### Fiche technique de l'outil

Mode de déclenchement	Sélectionnable : séquentiel ou par contact
Tension	20
Hauteur	312,4 mm (12,3 po)
Largeur	93,9 mm (3,7 po)
Longueur	302,2 mm (11,9 po)
Poids (sans bloc-piles)	2,5 kg (5,6 lb)
Inclinaison magasin	Droit
Capacité du chargeur	110 clous

#### Fiche technique des clous

Longueurs de clou droit	31,8 - 63,5mm (1-1/4 po- 2-1/2 po)
Diamètres de tige	Calibre 16
Angles des barrettes de clous	Droit

## ASSEMBLAGE ET AJUSTEMENTS

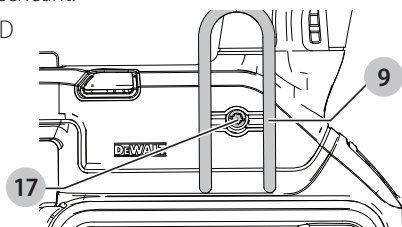
**!** **AVERTISSEMENT** : pour réduire le risque de blessures graves, éteindre l'outil et retirer le bloc-piles avant d'effectuer tout réglage et d'enlever ou d'installer tout accessoire. Un démarrage accidentel peut provoquer des blessures.

### Crochet de ceinture (Fig. D)

Les cloueuses sans fil sont équipées d'un crochet de ceinture 9 qui peut être rattaché d'un côté ou de l'autre de l'outil pour accommoder un gaucher ou un droitier.

On peut aussi retirer complètement le crochet, le cas échéant.

Fig. D



### Pour ajuster l'emplacement de l'agrafe pour courroie

**!** **AVERTISSEMENT** : retirer les clous du chargeur avant d'effectuer un réglage ou un entretien, afin d'éviter les risques de blessure grave.

**!** **AVERTISSEMENT** : débrancher le bloc-pile de l'outil avant d'effectuer un réglage ou un entretien, de changer les accessoires ou de ranger l'outil; ces mesures de sécurité préventives réduisent les risques de démarrage accidentel.

**!** **ATTENTION** : Lorsqu'on n'utilise pas l'outil, le placer sur le côté, sur une surface stable, de manière à éviter que les personnes s'y prennent les pieds, trébuchent et perdent l'équilibre. Bien que certains outils munis d'un gros bloc-pile puissent être placés à la verticale, dans cette position, ils peuvent facilement être renversés.

1. Retirer le bloc-pile de l'outil.
2. Pour convertir l'outil en vue de l'utilisation par un gaucher, il suffit de retirer la vis 17 située du côté opposé de l'outil et la réassembler de l'autre côté.
3. Replacer le bloc-pile.

## UTILISATION

**!** **AVERTISSEMENT** : pour réduire le risque de blessures graves, éteindre l'outil et retirer le bloc-piles avant d'effectuer tout réglage et d'enlever ou d'installer tout accessoire. Un démarrage accidentel peut provoquer des blessures.

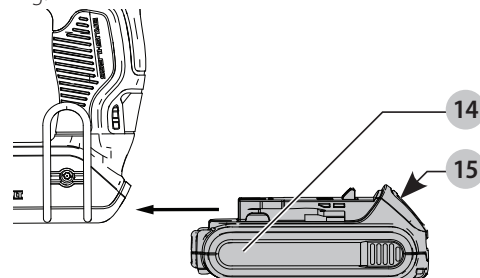
### Installation et retrait du bloc-piles (Fig. E)

**REMARQUE** : pour des résultats optimaux, s'assurer que le bloc-piles est complètement chargé.

Pour installer le bloc-piles 14 dans la poignée de l'outil, alignez le bloc-piles sur les rails dans la poignée de l'outil et faites-le glisser fermement en place puis vérifiez qu'il ne s'en détachera pas.

Pour retirer le bloc-piles de l'outil, poussez sur le bouton de libération 15 et tirez fermement le bloc-piles hors de la poignée de l'outil. Insérez-le dans son chargeur comme décrit dans la section appropriée de ce manuel.

Fig. E

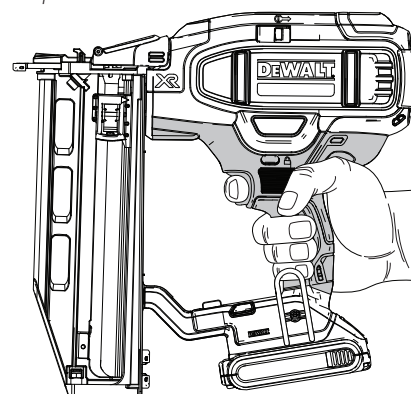


### Position correcte des mains (Fig. F)

**!** **AVERTISSEMENT** : pour réduire tout risque de dommages corporels graves, adopter **SYSTÉMATIQUEMENT** la position des mains illustrée.

**!** **AVERTISSEMENT** : pour réduire tout risque de dommages corporels graves, maintenir **SYSTÉMATIQUEMENT** l'outil fermement pour anticiper toute réaction soudaine.

Fig. F



### Sélection du mode

**!** **AVERTISSEMENT** : toujours porter une protection oculaire conforme à la norme [ANSI Z87.1 (CAN/CSA Z94.3)] ainsi qu'une protection auditive conforme à la norme [ANSI S12.6 (S3.19)] lors de l'utilisation de l'outil.

Les cloueuses sans fil DEWALT sont assemblées en conformité avec la norme ANSI Standard SNT-101-2015.

La cloueuse de finition est capable d'enfoncer des clous en mode de déclenchement par contact ou séquentiel.

Si vous désirez désactiver le mode de déclenchement par contact, veuillez vous adresser à un centre de réparation DEWALT agréé. Avant d'utiliser cet outil, vérifiez le sélecteur de tir pour déterminer son mode de déclenchement.

Lisez toutes les instructions avant de sélectionner le mode de déclenchement.

**!** **AVERTISSEMENT** : éloigner **SYSTÉMATIQUEMENT** les doigts de la gâchette hors utilisation de l'outil pour éviter toute décharge accidentelle de clous. **NE JAMAIS** transporter l'outil avec le doigt sur la gâchette. En mode par contact, l'outil enfoncera un clou si le déclencheur par contact est heurté alors que la gâchette est appuyée.

**Tir Séquentiel ↗ (Fig. E)**

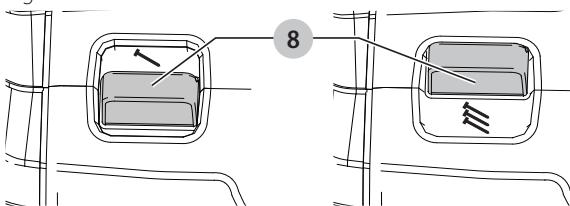
Utilisez le mode de tir séquentiel pour le clouage intermittent lorsque vous désirez un placement et un contrôle de profondeur minutieux et précis. Le mode de déclenchement séquentiel offre un maximum de puissance pour enfoncer les clous les plus longs.

**Pour utiliser la cloueuse en mode de tir séquentiel :**

1. Poussez le sélecteur **8** de tir pour afficher l'icône du clou unique ↗.
2. Appuyez complètement le nez de l'outil sur la surface à travailler (le moteur démarrera).
3. Appuyez sur la gâchette (le clou s'enfoncera dans la surface).
4. Relâchez la gâchette.
5. Retirez le nez de l'outil de la surface.
6. Répétez les étapes 2–4 pour le prochain clou.

**AVIS :** pour chaque clou, le déclencheur par contact doit être appuyé puis la gâchette, le tout suivi du relâchement et du déclencheur par contact et de la gâchette.

Fig. G

**Déclenchement par contact ≡ (Fig. G)**

Le déclenchement par contact a été conçu pour enfoncer rapidement des clous sur des surfaces planes et fixes, et est plus efficace en général pour enfoncer les clous plus courts. En mode de déclenchement par contact, deux méthodes d'utilisation de l'outil sont disponibles : déclenchement posé et déclenchement par contact.

Poussez le sélecteur **8** de tir pour afficher l'icône des trois clous ≡.

**Utilisation de l'outil avec la méthode de déclenchement posé :**

**AVERTISSEMENT :** un clou sera enfoncé chaque fois qu'on appuiera sur la gâchette tant que l'on maintiendra le déclencheur par contact appuyé.

1. Maintenez fermement le déclencheur par contact contre la surface à travailler.
2. Appuyez sur la gâchette.

**Utilisation de l'outil avec la méthode de déclenchement par contact :**

1. Appuyez sur la gâchette.
2. Appuyez le déclencheur par contact contre la surface à travailler. Tant que l'on appuiera sur la gâchette, l'outil continuera d'enfoncer un clou chaque fois que l'on appuiera sur le déclencheur par contact. Cela permet à l'utilisateur d'enfoncer plusieurs clous l'un après l'autre.

**AVERTISSEMENT :** ne plus appuyer sur la gâchette en fin d'utilisation de l'outil. Laisser le verrouillage de gâchette en position verrouillée en fin d'utilisation de l'outil.

**AVERTISSEMENT :** lorsque le moteur de l'outil tourne, appuyer sur la gâchette ou sur le déclencheur par contact, enfoncera un clou.

**Préparation de l'outil**

**AVERTISSEMENT : NE JAMAIS** vaporiser, ou appliquer de toute autre façon, aucun lubrifiant ou solvant de nettoyage dans l'outil. Cela pourrait affecter sérieusement la durée de vie et les performances de l'outil.

**REMARQUE :** Le bloc-pile n'est pas complètement chargé au moment de sa livraison. Suivre les directives du présent guide (voir la section **Méthode de chargement**).

1. Lire la section portant sur les consignes de sécurité du présent guide.
2. Porter des lunettes de protection et des protecteurs auditifs.
3. S'assurer que le chargeur ne contient aucune attache.
4. S'assurer que les éléments des déclencheurs par contact et du poussoir fonctionnent bien; ne pas utiliser l'outil si ces éléments ne fonctionnent pas correctement. Ne **JAMAIS** utiliser l'outil lorsque le déclencheur par contact est verrouillé en position actionnée.
5. Ne jamais pointer l'outil en direction d'une autre personne ni vers soi.
6. Insérer le bloc-pile complètement chargé.

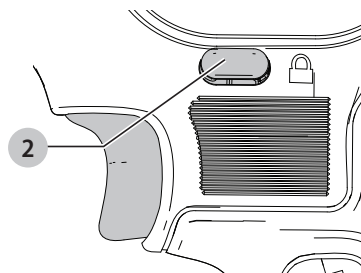
**Utilisation du verrouillage de gâchette (Fig. H)**

**AVERTISSEMENT :** pour réduire tout risque de dommages corporels graves, ne plus appuyer sur la gâchette lorsque l'outil n'est pas utilisé. Laisser le verrouillage de gâchette **VERROUILLÉ** (Fig. H) hors utilisation de l'outil.

**AVERTISSEMENT :** pour réduire tout risque de dommages corporels graves, verrouiller la gâchette, déconnecter le bloc-piles de l'outil et retirer les clous du magasin avant tout réglage,

Chaque cloueur DEWALT est équipé d'un verrouillage de gâchette **2** qui lorsqu'il est poussé sur la droite, comme illustré en Figure H empêche l'outil de tirer un clou en verrouillant la gâchette et en dérivant la puissance moteur.

Fig. H



Lorsque le verrouillage de gâchette sera poussé sur la gauche, l'outil sera pleinement opérationnel. Le verrouillage de gâchette devrait systématiquement être verrouillé chaque fois qu'un réglage est effectué ou que l'outil est hors utilisation.

**AVIS :** ne pas entreposer l'outil avec son bloc-piles installé. Pour ne pas endommager les blocs-piles et préserver leur durée de vie, les entreposer hors de l'outil ou du chargeur dans un endroit frais et sec.

## Chargement de L'Outil (Fig. I)

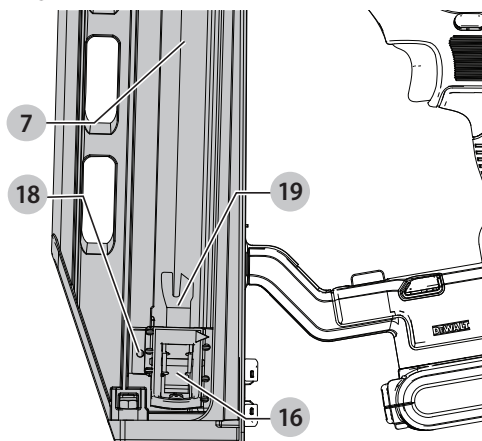
**!** **AVERTISSEMENT :** maintenir l'outil pointé dans la direction opposée à vous-même et à tout individu présent. Des dommages corporels graves pourraient survenir.

**!** **AVERTISSEMENT :** ne jamais charger de clous si le déclencheur par contact ou la gâchette est activé, car il y a risques de dommages corporels.

**!** **AVERTISSEMENT :** retirer systématiquement les bloc-piles avant de charger ou décharger les clous. Des dommages corporels graves pourraient survenir.

1. Remplissez les pointes par la fente à l'arrière du magasin et derrière le clip de retenue. **18**.
2. Tirez l'assemblage du poussoir **16** derrière la tige du clou et relâchez.
3. Assurez-vous que le poussoir du magasin **19** se trouve derrière le dernier bâtonnet de pointes.

Fig. I



## Déchargement de L'outil (Fig. A, I)

**!** **AVERTISSEMENT :** le verrouillage de gâchette devrait systématiquement être verrouillé chaque fois qu'un réglage est effectué ou que l'outil est hors utilisation.

1. Relâchez l'assemblage du poussoir **16** afin qu'il n'applique plus de force sur les tiges des clous.
2. Glissez les bâtonnets de pointes vers le bas et hors de la fente à l'arrière du magasin.
3. Ouvrez la gâche pour l'élimination des blocages **5** sur le nez pour vérifier qu'il ne reste aucune pointe.

## Ajuster la profondeur (Fig. J)

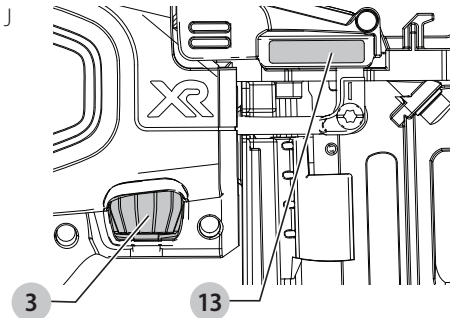
La profondeur à laquelle une attache est enfoncée peut être réglée à l'aide de la molette de réglage de profondeur **3** sur le côté de l'outil.

**!** **AVERTISSEMENT :** pour réduire tout risque de dommages corporels graves causés par l'activation accidentelle de l'outil lors du réglage de profondeur, **SYSTÉMATIQUEMENT :**

- Retirer le bloc-piles;
- Enclencher le verrouillage de gâchette;
- Éviter tout contact avec la gâchette pendant le réglage.

1. Pour enfoncer le clou moins profondément (T), faites tourner la molette de réglage de profondeur **3** de façon à l'éloigner du nez de la cloueuse.
2. Pour enfoncer un clou plus profondément (T), faites tourner la molette de réglage de profondeur **3** de façon à la rapprocher du nez de la cloueuse.

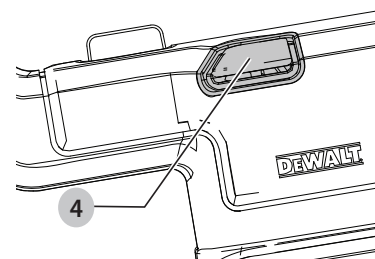
Fig. J



## Voyants (Fig. K)

Des voyants **4** sont installés de chaque côté du cloueur; ceux-ci s'allument lorsqu'on insère le bloc-pile, qu'on actionne la gâchette ou qu'on enfonce le déclencheur par contact, et s'éteignent automatiquement après 20 secondes, sauf si l'outil continue à fonctionner.

Fig. K



**REMARQUE :** Ces voyants servent à éclairer la surface de travail immédiate et ne sont pas destinés à être utilisés comme lampes de poche.

**VOYANT DE CHARGE :** Le voyant gauche clignotera quatre fois consécutives puis s'éteindra pour indiquer que la pile est déchargée.

**VOYANT D'ENRAYAGE :** Le voyant droit clignotera en continu si un clou venait à s'enrayer dans le nez de l'outil (reportez-vous à la section **Désenrayage de clou**).

## Désenrayage de clou (Fig. A, L)

Si un clou venait à s'enrayer dans le nez de l'outil, maintenez l'outil pointé à l'opposé de vous-même et suivez les instructions ci-après pour le décoincer.

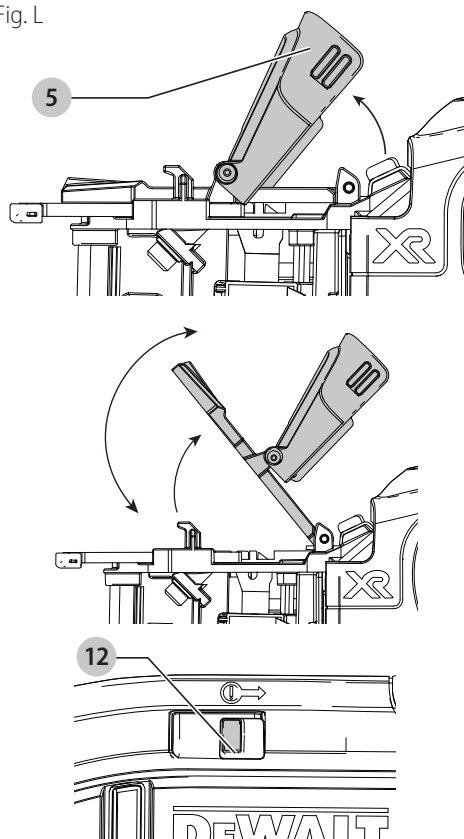
## FRANÇAIS

1. Retirez le bloc-piles de l'outil et activez le verrouillage de gâchette.
2. Relâchez l'assemblage du poussoir afin qu'il n'applique plus de force sur les tiges des clous.
3. Soulevez le loquet de dégagement du bourrage 5 puis soulevez-le pour ouvrir la porte du nez.
4. Retirez le clou tordu à l'aide d'une pince le cas échéant.
5. Si la lame de l'enfonceur est en position inférieure, activez le levier de désenrayage 12 avec assez de force pour le déplacer complètement à l'autre extrémité de son logement dans le magasin.
6. Refermez le portillon du nez et poussez la goupille de verrouillage sous les deux ailettes du nez de l'outil. Repoussez à fond le verrou pour le verrouiller.
7. Réinsérez le bloc-piles.

**REMARQUE :** l'outil cessera de lui-même de fonctionner et ne se réinitialisera pas tant que le bloc-piles n'aura pas été retiré puis réinséré.

8. Réinsérez les clous dans le magasin (reportez-vous à la section **Chargement de l'outil**).

Fig. L



**REMARQUE :** Si le problème persiste, apporter l'outil à un centre de service DEWALT autorisé afin de le faire réparer

## Fonctionnement par temps froid

Avant d'utiliser l'outil à des températures de gel, on doit :

1. Réchauffer l'outil autant que possible.
2. Actionner l'outil 5 ou 6 fois en l'appuyant contre la surface d'une pièce en bois avant chaque utilisation.

## Fonctionnement par temps chaud

Bien que l'outil devrait fonctionner normalement par temps chaud, on doit tout de même le protéger contre les rayons directs du soleil, car la chaleur excessive pourrait endommager les butées ou toute autre pièce en caoutchouc, ce qui augmente les opérations d'entretien.

## MAINTENANCE

**AVERTISSEMENT :** pour réduire le risque de blessures graves, éteindre l'outil et retirer le bloc-piles avant d'effectuer tout réglage et d'enlever ou d'installer tout accessoire. Un démarrage accidentel peut provoquer des blessures.

## Nettoyage

**AVERTISSEMENT :** enlever les saletés et la poussière hors des événements au moyen d'air comprimé propre et sec, au moins une fois par semaine. Pour minimiser le risque de blessure aux yeux, toujours porter une protection oculaire conforme à la norme ANSI Z87.1 lors du nettoyage.

**AVERTISSEMENT :** ne jamais utiliser de solvants ni d'autres produits chimiques puissants pour nettoyer les pièces non métalliques de l'outil. Ces produits chimiques peuvent affaiblir les matériaux de plastique utilisés dans ces pièces. Utiliser un chiffon humecté uniquement d'eau et de savon doux. Ne jamais laisser de liquide pénétrer dans l'outil et n'immerger aucune partie de l'outil dans un liquide.

## Accessoires

**AVERTISSEMENT :** puisque les accessoires autres que ceux offerts par DEWALT n'ont pas été testés avec ce produit, leur utilisation pourrait s'avérer dangereuse. Pour réduire le risque de blessures, utiliser exclusivement les accessoires DEWALT recommandés avec le présent produit.

Les accessoires recommandés pour cet outil sont vendus séparément au centre de service de votre région. Pour obtenir de l'aide concernant l'achat d'un accessoire, communiquer avec DEWALT Industrial Tool Co., 701 East Joppa Road, Towson, MD 21286 aux États-Unis; composer le 1 800 433-9258 (1 800 4-DEWALT) ou visiter notre site Web : [www.dewalt.com](http://www.dewalt.com).

## Réparations

Le chargeur et le bloc-piles ne sont pas réparables.

**AVERTISSEMENT :** pour assurer la SÉCURITÉ et la FIABILITÉ du produit, les réparations, l'entretien et les réglages doivent être réalisés (cela comprend l'inspection et le remplacement du balai, le cas échéant) par un centre de réparation en usine DEWALT ou un centre de réparation agréé DEWALT. Toujours utiliser des pièces de rechange identiques.



## Registre en ligne

Merci pour votre achat. Enregistrez dès maintenant votre produit:

- **RÉPARATIONS SOUS GARANTIE:** cette carte remplie vous permettra de vous prévaloir du service de réparations sous garantie de façon plus efficace dans le cas d'un problème avec le produit.
- **CONFIRMATION DE PROPRIÉTÉ:** en cas de perte provoquée par un incendie, une inondation ou un vol, cette preuve de propriété vous servira de preuve auprès de votre compagnie d'assurances.
- **SÉCURITÉ:** l'enregistrement de votre produit nous permettra de communiquer avec vous dans l'éventualité peu probable de l'envoi d'un avis de sécurité régi par la loi fédérale américaine de la protection des consommateurs.

Registre en ligne à [www.dewalt.com/register](http://www.dewalt.com/register).

## Garantie limitée de trois ans

DEWALT réparera, sans frais, tout produit défectueux causé par un défaut de matériel ou de fabrication pour une période de trois ans à compter de la date d'achat. La présente garantie ne couvre pas les pièces dont la défectuosité a été causée par une usure normale ou l'usage abusif de l'outil. Pour obtenir de plus amples renseignements sur les pièces ou les réparations couvertes par la présente garantie, visiter le site [www.dewalt.com](http://www.dewalt.com) ou composer le 1 800 433-9258 (1 800 4-DEWALT). CETTE GARANTIE LIMITÉE REMPLACE TOUTE AUTRE GARANTIE, Y COMPRIS TOUTE GARANTIE IMPLICITE DE QUALITÉ MARCHANDE OU DE CONFORMITÉ À DES FINS PARTICULIÈRES, ET EXCLUT TOUT DOMMAGE ACCESSOIRE OU INDIRECT. Certains états n'autorisent aucune limitation quant à la durée d'une garantie implicite ni aucune exclusion ou limitation de garantie contre tout préjudice accessoire ou indirect, aussi il se peut que ces exclusions ne vous soient pas applicables. Cette garantie confère des droits légaux particuliers à l'acheteur, mais celui-ci pourrait aussi bénéficier d'autres droits variant d'un territoire à l'autre.

En plus de la présente garantie, les outils DEWALT sont couverts par notre :

### CONTRAT D'ENTRETIEN GRATUIT D'UN AN

DEWALT entretiendra l'outil et remplacera les pièces usées au cours d'une utilisation normale et ce, gratuitement, pendant une période d'un an à compter de la date d'achat.

### CONTRAT D'ENTRETIEN GRATUIT DE DEUX ANS SUR LES BLOC-PILES DEWALT

DC9071, DC9091, DC9096, DC9182, DC9280, DC9360, DCB120, DCB127, DCB201, DCB203BT, DCB207, DCB361

### CONTRAT D'ENTRETIEN GRATUIT DE TROIS ANS SUR LES BLOC-PILES DEWALT

DCB200, DCB204, DCB204BT, DCB203, DCB205, DCB205BT, DCB206, DCB230, DCB606, DCB609

**REMARQUE :** La garantie de se produit sera annulée si le bloc-piles a été altéré de quelque façon que ce soit. DEWALT ne peut être tenu responsable de tout dommage corporel causé par l'altération du produit et pourra poursuivre toute fraude en matière de garantie dans toute l'étendue permise par la loi.

### GARANTIE DE REMBOURSEMENT DE 90 JOURS

Si l'acheteur n'est pas entièrement satisfait, pour quelque raison que ce soit, du rendement de l'outil électrique, du laser ou de la cloueuse DEWALT, celui-ci peut le retourner, accompagné d'un reçu, dans les 90 jours à compter de la date d'achat pour obtenir un remboursement intégral, sans aucun problème.

**AMÉRIQUE LATINE :** cette garantie ne s'applique aux produits vendus en Amérique latine. Pour ceux-ci, veuillez consulter les informations relatives à la garantie spécifique présente dans l'emballage, appeler l'entreprise locale ou consulter le site Web pour les informations relatives à cette garantie.

### REPLACEMENT GRATUIT DES ÉTIQUETTES

**D'AVERTISSEMENT :** si les étiquettes d'avertissement deviennent illisibles ou sont manquantes, composer le 1 800 433-9258 (1 800 4-DEWALT) pour en obtenir le remplacement gratuit.

## Guide de dépannage

DE NOMBREUX PROBLÈMES COURANTS PEUVENT ÊTRE RÉSOLUS FACILEMENT À L'AIDE DU TABLEAU CI-DESSOUS. POUR DES PROBLÈMES PLUS SÉRIEUX OU PERSISTANTS, VEUILLEZ CONTACTER UN CENTRE DE RÉPARATION DEWALT OU APPELER LE 1-(800)-4-DEWALT.



**AVERTISSEMENT:** pour réduire les risques de blessures graves, éteignez l'appareil et retirez la batterie avant de procéder à des réglages ou de retirer / installer des accessoires ou des accessoires. Un démarrage accidentel peut provoquer des blessures.

Symptôme	Cause	Solution
L'outil ne se met pas en marche (Les lumières ne s'allument pas)	Les composants électroniques internes ne se réinitialisent pas	Retirez le bloc-piles, attendez 3 secondes et réinsérez
	Charge du bloc-piles faible ou bloc-piles endommagé	Chargez ou remplacez le bloc-piles
	Les bornes sont sales ou endommagées	Consultez un centre de services autorisé
	Déclencheur par contact plié	Consultez un centre de services autorisé
	Composants électroniques internes endommagés	Composants électroniques internes endommagés
L'outil ne fonctionne pas (Lumières allumées, mais le moteur ne tourne pas)	Le moteur cesse de fonctionner après 4 secondes	Fonctionnement normal; relâchez la gâchette ou le déclencheur par contact et appuyez à nouveau
	Déclencheur par contact ou gâchette non appuyé	Consultez le guide d'utilisation
	Gâchette endommagée	Consultez un centre de services autorisé
	Déclencheur par contact plié	Consultez un centre de services autorisé
	Composants électroniques internes endommagés	Consultez un centre de services autorisé
L'outil est en mode séquentiel et seulement la gâchette est activée.	Changez de mode ou appuyez sur le déclencheur par contact en mode séquentiel.	
L'outil ne fonctionne pas (Lumière gauche clignote quatre 4 fois)	Charge du bloc-piles faible ou bloc-piles endommagé	Chargez ou remplacez le bloc-piles
L'outil ne fonctionne pas (Lumière droite clignote sans cesse)	Fixation bloquée	Retirez le bloc-piles, enlevez la fixation bloquée (activez levier de libération du blocage pour réinitialiser la lame d'entraînement) et réinsérez le bloc-piles
	Mécanisme bloqué	Consultez un centre de services autorisé
L'outil ne fonctionne pas (lumières allumées, le moteur tourne)	Composants électroniques internes endommagés	Consultez un centre de services autorisé
L'outil ne fonctionne pas (lumières allumées, moteur tourne, lame d'entraînement coincée)	Système de retour endommagé	Remplacez le système de retour, consultez un centre de services autorisé
	Débris dans l'embout	Nettoyez l'embout
	Assemblage d'entraînement/de retour endommagé	Remplacez l'assemblage d'entraînement/de retour; consultez un centre de services autorisé
L'outil fonctionne, mais il n'enfoncé pas entièrement la fixation	Charge du bloc-piles faible ou bloc-piles endommagé	Chargez ou remplacez le bloc-piles
	Le réglage de l'ajustement de la profondeur n'est pas assez profond	Tournez la roulette d'ajustement de la profondeur pour un réglage plus profond
	L'outil n'est pas solidement appliqué sur la pièce de travail	Consultez le guide d'utilisation
	Longueur du matériel et des fixations trop stricte pour une application	Choisissez une longueur de matériel ou de fixations appropriée
	Bout de lame d'entraînement endommagé ou usé	Remplacez l'assemblage d'entraînement/de retour; consultez un centre de services autorisé
	Assemblage d'entraînement/de retour endommagé ou usé	Remplacez l'assemblage d'entraînement/de retour; consultez un centre de services autorisé

Symptôme	Cause	Solution
L'outil fonctionne, mais aucune fixation enfoncée	Aucune fixation dans le magasin	Chargez des fixations dans le magasin
	Mauvais formats ou angles des fixations	Utilisez seulement les fixations recommandées
	Débris dans l'embout	Nettoyez l'embout
	Débris dans le magasin	Nettoyez le magasin
	Magasin usé	Remplacez le magasin; consultez un centre de services autorisé
	Lame d'entraînement endommagée ou usée	Remplacez l'assemblage d'entraînement/de retour; consultez un centre de services autorisé
	Ressort du poussoir endommagé	Remplacez le ressort; consultez un centre de services autorisé
L'outil est verrouillé, mais aucune fixation enfoncée	L'outil est muni d'une fonction de verrouillage de sécurité afin d'éviter que l'outil tire lorsqu'il n'y a pas d'attache chargée. Lorsque l'indicateur de bas niveau des clous est visible, l'outil commence à manquer de fixations.	Chargez des fixations dans le magasin
Fixation bloquée	Mauvais formats ou angles des fixations	Utilisez seulement les fixations recommandées
	Lame d'entraînement endommagée ou usée	Remplacez l'assemblage d'entraînement/de retour; consultez un centre de services autorisé
	Longueur du matériel et des fixations trop stricte pour une application	Longueur du matériel ou des fixations inappropriée
	Charge du bloc-piles faible ou bloc-piles endommagé	Chargez ou remplacez le bloc-piles
	Débris dans l'embout	Nettoyez l'embout
	Débris dans le magasin	Nettoyez le magasin
	Magasin usé	Remplacez le magasin; consultez un centre de services autorisé
	Ressort du poussoir endommagé ou usé	Remplacez le ressort; consultez un centre de services autorisé

## Definiciones: Símbolos y Palabras de Alerta de Seguridad

Este manual de instrucciones utiliza los siguientes símbolos y palabras de alerta de seguridad para alertarle de situaciones peligrosas y del riesgo de lesiones corporales o daños materiales.

**PELIGRO:** Indica una situación de peligro inminente que, si no se evita, provocará **la muerte o lesiones graves**.

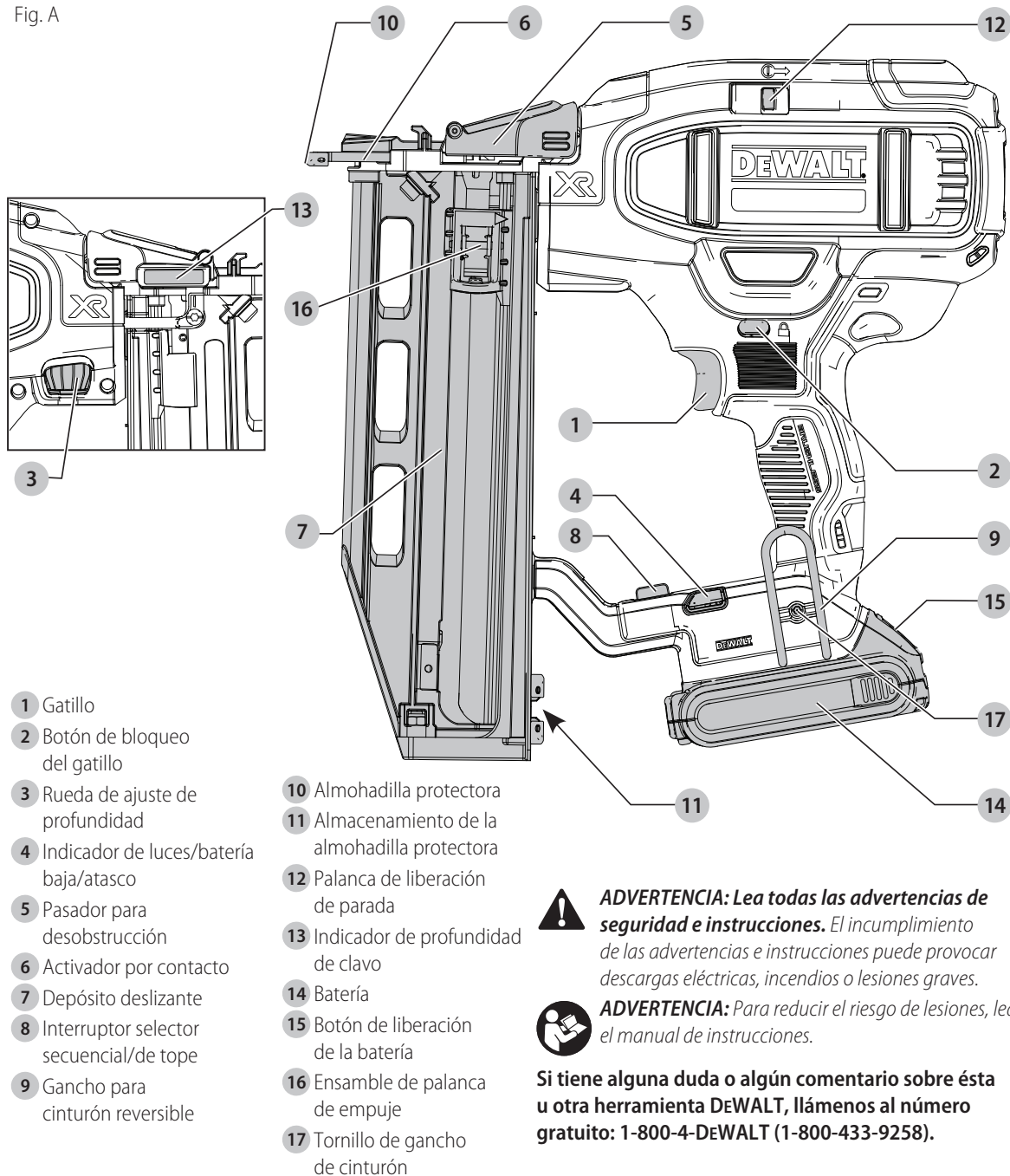
**ADVERTENCIA:** Indica una situación de peligro potencial que, si no se evita, **podría provocar la muerte o lesiones graves**.

**ATENCIÓN:** Indica una situación de peligro potencial que, si no se evita, **posiblemente provocaría lesiones leves o moderadas**.

**(Utilizado sin palabras)** indica un mensaje de seguridad relacionado.

**AVISO:** Se refiere a una práctica **no relacionada a lesiones corporales** que de no evitarse **puede resultar en daños a la propiedad**.

Fig. A



1 Gatillo

2 Botón de bloqueo del gatillo

3 Rueda de ajuste de profundidad

4 Indicador de luces/batería baja/atasco

5 Pasador para desobstrucción

6 Activador por contacto

7 Depósito deslizando

8 Interruptor selector secuencial/de tope

9 Gancho para cinturón reversible

10 Almohadilla protectora

11 Almacenamiento de la almohadilla protectora

12 Palanca de liberación de parada

13 Indicador de profundidad de clavo

14 Batería

15 Botón de liberación de la batería

16 Ensamblaje de palanca de empuje

17 Tornillo de gancho de cinturón

**ADVERTENCIA:** Lea todas las advertencias de seguridad e instrucciones. El incumplimiento de las advertencias e instrucciones puede provocar descargas eléctricas, incendios o lesiones graves.

**ADVERTENCIA:** Para reducir el riesgo de lesiones, lea el manual de instrucciones.

Si tiene alguna duda o algún comentario sobre ésta u otra herramienta DEWALT, llámenos al número gratuito: 1-800-4-DEWALT (1-800-433-9258).

## ADVERTENCIAS GENERALES DE SEGURIDAD PARA HERRAMIENTAS ELÉCTRICAS



**ADVERTENCIA:** Lea todas las advertencias de seguridad, instrucciones, ilustraciones y especificaciones incluidas con esta herramienta eléctrica. La falla en seguir todas las instrucciones siguientes puede resultar en descarga eléctrica, incendio y/o lesiones serias.

### CONSERVE TODAS LAS ADVERTENCIAS E INSTRUCCIONES PARA FUTURAS CONSULTAS

El término "herramienta eléctrica" incluido en las advertencias hace referencia a las herramientas eléctricas operadas con corriente (con cable eléctrico) o a las herramientas eléctricas operadas con baterías (inalámbricas).

#### 1) Seguridad en el Área de Trabajo

- a) **Mantenga el área de trabajo limpia y bien iluminada.** Las áreas abarrotadas y oscuras propician accidentes.
- b) **No opere las herramientas eléctricas en atmósferas explosivas, como ambientes donde haya polvo, gases o líquidos inflamables.** Las herramientas eléctricas originan chispas que pueden encender el polvo o los vapores.
- c) **Mantenga alejados a los niños y a los espectadores de la herramienta eléctrica en funcionamiento.** Las distracciones pueden provocar la pérdida de control.

#### 2) Seguridad Eléctrica

- a) **Los enchufes de la herramienta eléctrica deben adaptarse al tomacorriente. Nunca modifique el enchufe de ninguna manera. No utilice ningún enchufe adaptador con herramientas eléctricas con conexión a tierra.** Los enchufes no modificados y que se adaptan a los tomacorrientes reducirán el riesgo de descarga eléctrica.
- b) **Evite el contacto corporal con superficies con descargas a tierra como, por ejemplo, tuberías, radiadores, cocinas eléctricas y refrigeradores.** Existe mayor riesgo de descarga eléctrica si su cuerpo está puesto a tierra.
- c) **No exponga las herramientas eléctricas a la lluvia o a condiciones de humedad.** Si entra agua a una herramienta eléctrica, aumentará el riesgo de descarga eléctrica.
- d) **No maltrate el cable. Nunca utilice el cable para transportar, tirar o desenchufar la herramienta eléctrica. Mantenga el cable alejado del calor, el aceite, los bordes filosos y las piezas móviles.** Los cables dañados o enredados aumentan el riesgo de descarga eléctrica.
- e) **Al operar una herramienta eléctrica en el exterior, utilice un cable prolongador adecuado para tal uso.** Utilice un cable adecuado para uso en exteriores a fin de reducir el riesgo de descarga eléctrica.

- f) **Si el uso de una herramienta eléctrica en un lugar húmedo es imposible de evitar, utilice un suministro protegido con un interruptor de circuito por falla a tierra (GFCI).** El uso de un GFCI reduce el riesgo de descargas eléctricas.

#### 3) Seguridad Personal

- a) **Permanezca alerta, controle lo que está haciendo y utilice el sentido común cuando emplee una herramienta eléctrica. No utilice una herramienta eléctrica si está cansado o bajo el efecto de drogas, alcohol o medicamentos.** Un momento de descuido mientras se opera una herramienta eléctrica puede provocar lesiones personales graves.
- b) **Utilice equipos de protección personal. Siempre utilice protección para los ojos.** En las condiciones adecuadas, el uso de equipos de protección, como máscaras para polvo, calzado de seguridad antideslizante, cascos o protección auditiva, reducirá las lesiones personales.
- c) **Evite el encendido por accidente. Asegúrese de que el interruptor esté en la posición de apagado antes de conectarlo a la fuente de energía o paquete de baterías, o antes de levantar o transportar la herramienta.** Transportar herramientas eléctricas con el dedo apoyado en el interruptor o enchufar herramientas eléctricas con el interruptor en la posición de encendido puede propiciar accidentes.
- d) **Retire la clavija de ajuste o la llave de tuercas antes de encender la herramienta eléctrica.** Una llave de tuercas o una clavija de ajuste que quede conectada a una pieza giratoria de la herramienta eléctrica puede provocar lesiones personales.
- e) **No se estire. Conserve el equilibrio y párese adecuadamente en todo momento.** Esto permite un mejor control de la herramienta eléctrica en situaciones inesperadas.
- f) **Use la vestimenta adecuada. No use ropas holgadas ni joyas. Mantenga el cabello, la ropa y los guantes alejados de las piezas en movimiento.** Las ropas holgadas, las joyas o el cabello largo pueden quedar atrapados en las piezas en movimiento.
- g) **Si se suministran dispositivos para la conexión de accesorios con fines de recolección y extracción de polvo, asegúrese de que estén conectados y que se utilicen correctamente.** El uso de dispositivos de recolección de polvo puede reducir los peligros relacionados con el polvo.
- h) **No permita que la familiaridad obtenida a partir del uso frecuente de herramientas le permitan volverse descuidado e ignorar los principios de seguridad de la herramienta.** Una acción descuidada puede causar lesiones severas en una fracción de segundo.

#### 4) Uso y Mantenimiento de la Herramienta Eléctrica

- a) **No fuerce la herramienta eléctrica. Utilice la herramienta eléctrica correcta para el trabajo que realizará.** Si se la utiliza a la velocidad para la que fue diseñada, la herramienta eléctrica correcta permite trabajar mejor y de manera más segura.
- b) **No utilice la herramienta eléctrica si no puede encenderla o apagarla con el interruptor.** Toda herramienta eléctrica que no pueda ser controlada mediante el interruptor es peligrosa y debe repararse.
- c) **Desconecte el enchufe de la fuente de energía o el paquete de baterías de la herramienta eléctrica antes de realizar ajustes, cambiar accesorios o almacenar la herramienta eléctrica.** Estas medidas de seguridad preventivas reducen el riesgo de encender la herramienta eléctrica en forma accidental.
- d) **Guarde la herramienta eléctrica que no esté en uso fuera del alcance de los niños y no permita que otras personas no familiarizadas con ella o con estas instrucciones operen la herramienta.** Las herramientas eléctricas son peligrosas si son operadas por usuarios no capacitados.
- e) **Dé mantenimiento a las herramientas eléctricas y accesorios. Revise que no haya piezas en movimiento mal alineadas o trabadas, piezas rotas o cualquier otra situación que pueda afectar el funcionamiento de la herramienta eléctrica. Si encuentra daños, haga reparar la herramienta eléctrica antes de utilizarla.** Se producen muchos accidentes a causa de las herramientas eléctricas que carecen de un mantenimiento adecuado.
- f) **Mantenga las herramientas de corte afiladas y limpias.** Las herramientas de corte con mantenimiento adecuado y con los bordes de corte afilados son menos propensas a trabarse y son más fáciles de controlar.
- g) **Utilice la herramienta eléctrica, los accesorios y las brocas de la herramienta, etc. de acuerdo con estas instrucciones y teniendo en cuenta las condiciones de trabajo y el trabajo que debe realizarse.** El uso de la herramienta eléctrica para operaciones diferentes de aquéllas para las que fue diseñada podría originar una situación peligrosa.
- h) **Mantenga las manijas y superficies de sujeción secas, limpias y libres de aceite y grasa.** Las manijas y superficies de sujeción resbalosas no permiten el manejo y control seguros de la herramienta en situaciones inesperadas.

#### 5) Uso y Mantenimiento de la Herramienta con Baterías

- a) **Recargue solamente con el cargador especificado por el fabricante.** Un cargador adecuado para un tipo de paquete de baterías puede originar riesgo de incendio si se utiliza con otro paquete de baterías.

- b) **Utilice herramientas eléctricas sólo con paquetes de baterías específicamente diseñados.** El uso de cualquier otro paquete de baterías puede producir riesgo de incendio y lesiones.
- c) **Cuando no utilice el paquete de baterías, manténgalo lejos de otros objetos metálicos como sujetapapeles, monedas, llaves, clavos, tornillos u otros objetos metálicos pequeños que puedan realizar una conexión desde un terminal al otro.** Los cortocircuitos en los terminales de la batería pueden provocar quemaduras o incendio.
- d) **En condiciones abusivas, el líquido puede ser expulsado de la batería. Evite su contacto. Si entra en contacto accidentalmente, enjuague con agua. Si el líquido entra en contacto con los ojos, busque atención médica.** El líquido expulsado de la batería puede provocar irritación o quemaduras.
- e) **No use un paquete de batería o herramienta que estén dañados o modificados.** Las baterías dañadas o modificadas pueden presentar comportamiento imprevisto que resulte en incendio, EXPLOSIÓN o riesgo de lesiones.
- f) **No exponga un paquete de batería o herramienta a fuego o temperatura excesiva.** La exposición a fuego o temperatura mayor a 265°F (130 °C) puede causar una explosión.
- g) **Siga todas las instrucciones de carga y no cargue el paquete de batería o la herramienta fuera del rango de temperatura especificado en las instrucciones.** Cargar inadecuadamente o en una temperatura fuera del rango especificado puede dañar la BATERÍA e incrementar el riesgo de incendio.

#### 6) Mantenimiento

- a) **Solicite a una persona calificada en reparaciones que realice el mantenimiento de su herramienta eléctrica y que sólo utilice piezas de repuesto idénticas.** Esto garantizará la seguridad de la herramienta eléctrica.
- b) **Nunca dé servicio a paquetes de batería dañados.** El servicio de paquetes de batería sólo debe ser realizado por el fabricante o proveedores de servicio autorizados.

#### Advertencias de seguridad de la clavadora

- **Suponga siempre que la herramienta contiene clavos.** El manejo descuidado de la clavadora puede provocar un disparo inesperado de los clavos y lesiones corporales.
- **No apunte la herramienta hacia sí mismo ni hacia nadie que esté cerca.** El disparo inesperado descargará un clavo y causará una herida.
- **No ponga en funcionamiento la herramienta a menos que esté colocada firmemente contra la pieza de trabajo.** Si la herramienta no está en contacto con la pieza de trabajo, el clavo puede desviarse de su objetivo.
- **Desconecte la herramienta de la fuente de alimentación cuando se atasque el clavo en la**

**herramienta.** Mientras se saca un clavo atascado, la clavadora puede activarse accidentalmente si está enchufada.

- **No use esta clavadora para sujetar cables eléctricos.** No está diseñada para la instalación de cables eléctricos y puede dañar el aislamiento de los cables eléctricos y causar una descarga eléctrica o peligros de incendio.

## Advertencias de seguridad adicionales de la clavadora



**ADVERTENCIA:** Al utilizar una clavadora, deben seguirse todas las precauciones de seguridad descritas a continuación, a fin de evitar el riesgo de lesiones graves o muerte. Lea todas las instrucciones hasta comprenderlas antes de utilizar la herramienta.



**ADVERTENCIA: NUNCA** rocíe o aplique lubricantes o disolventes limpiadores dentro de la herramienta. Esto podría afectar seriamente la vida y el rendimiento de la herramienta.



**ADVERTENCIA:** si se ha caído la herramienta o sospecha que está dañada, realice una verificación de funcionamiento de la herramienta según se define en la sección de selección de modo del manual. Si no funciona según las indicaciones del manual, deje de usar la herramienta y llévela para que sea reparada en un centro de servicio dewalt autorizado.

- **Sostenga la herramienta por las superficies de agarre aisladas cuando realice una operación en la que la herramienta de corte pueda tocar cables eléctricos ocultos.** El contacto con un cable con corriente eléctrica hará que las partes expuestas de la herramienta tengan corriente y que el operador reciba una descarga eléctrica.
- **La herramienta en funcionamiento puede generar residuos volátiles, materiales colacionados o polvo que pueden dañar los ojos del operador.** El operador y toda otra persona que se encuentre en el área de trabajo DEBEN usar anteojos de seguridad con protección lateral. Estos anteojos de seguridad deben cumplir con los requisitos ANSI Z87.1 (los anteojos aprobados tienen impreso o estampado "Z87"). Es responsabilidad del empleador exigir el uso de equipo de protección para los ojos por parte del operador de la herramienta y de las personas en el área de trabajo.
- **Siempre utilice la protección auditiva apropiada mientras usa la herramienta.** En determinadas condiciones y según el período de uso, el ruido provocado por este producto puede originar pérdida de audición.
- **Desconecte el paquete de baterías de la herramienta cuando no la utilice.** Siempre retire el paquete de baterías y los elementos de fijación del depósito antes de abandonar el área o pasar la herramienta a otro operador. No lleve la herramienta a otra área de trabajo en la que el cambio de ubicación involucre el uso de andamios, escalones, escaleras, etc., con el paquete de baterías conectado. No realice ajustes, lleve a cabo el mantenimiento ni retire los elementos de fijación atascados con el paquete de baterías insertado.
- **No retire nada de la herramienta ni trate de forzarla, de modo que ésta, el gatillo, el bloqueo del gatillo o el activador por contacto dejen de funcionar.** No sujete con cinta ni ate el gatillo o el activador por contacto en la posición de **ENCENDIDO**. No retire el resorte del activador por contacto. Inspeccione diariamente para ver si el gatillo y el activador por contacto se mueven libremente. Podría producirse una descarga no controlada
- **Revise la herramienta antes de usarla. No opere una herramienta si alguna parte de ésta, el gatillo, el bloqueo del gatillo o el activador por contacto no funcionan, están desconectados o alterados, o no funcionan correctamente.** Las partes dañadas o faltantes deberán repararse o reemplazarse antes del uso. Consulte la sección **Reparaciones** :
- **No altere ni modifique la herramienta de ninguna forma.**
- **Siempre dé por sentado que la herramienta contiene clavos.**
- **No apunte la herramienta hacia sus compañeros de trabajo ni hacia usted en ningún momento.** ¡No la use a modo de juego! ¡Trabaje en forma segura! Respete la herramienta como un elemento de trabajo.
- **Mantenga a espectadores, niños y visitantes alejados de la herramienta eléctrica en funcionamiento.** Las distracciones pueden provocar la pérdida de control. Cuando la herramienta no esté en uso, se debe guardar en un lugar seguro, fuera del alcance de los niños.
- **No transporte la herramienta sujetándola por el gatillo.** Se puede producir una descarga accidental.
- **Siempre use el bloqueo del gatillo si no utilizará la herramienta inmediatamente.** El uso del bloqueo del gatillo evitará la descarga accidental.
- **No se estire. Conserve el equilibrio y párese adecuadamente en todo momento.** La pérdida del equilibrio podría provocar una lesión personal.
- **Utilice la herramienta sólo para la función para la que fue diseñada. No descargue los elementos de fijación al aire, hormigón, piedra, madera muy dura, nudos o cualquier material demasiado duro para que lo penetren. No utilice el cuerpo de la herramienta o la tapa superior como un martillo. Los elementos de fijación descargados podrían hacer un camino inesperado y causar una lesión.**
- **Mantenga siempre los dedos lejos del activador por contacto para evitar que se produzcan lesiones por la liberación accidental del impulsor.**
- **Consulte las secciones Mantenimiento y Reparaciones para obtener información detallada sobre el mantenimiento correcto de la herramienta.**
- **Opere siempre la herramienta en un área limpia e iluminada.** Asegúrese de que la superficie de trabajo está libre de cualquier residuo y tenga cuidado de no perder el equilibrio cuando trabaja en lugares altos, como techos.
- **No clave elementos de fijación cerca de los bordes del material.** La pieza de trabajo puede partirse y hacer

## ESPAÑOL

que el elemento de fijación rebote y lo lesione a usted o a un compañero de trabajo. Tenga en cuenta que el clavo podría seguir la veta de la madera y sobresalir en forma inesperada del costado del material de trabajo. Coloque la punta de cincel del clavo en forma perpendicular a la veta de la madera para reducir el riesgo de lesiones.

- **No coloque clavos sobre otros elementos de fijación, o con la herramienta en un ángulo demasiado pronunciado.** Podría producirse una lesión personal a causa de un fuerte retroceso, el atascamiento de los elementos de fijación o el rebote de los clavos.
- **Mantenga las manos y las partes del cuerpo fuera del área de trabajo inmediata.** Sostenga la pieza de trabajo con abrazaderas cuando sea necesario para mantener las manos y el cuerpo alejados de daños potenciales. Asegúrese de que la pieza de trabajo esté bien sujeta antes de presionar la clavadora en el material. El activador por contacto puede hacer que el material de trabajo se mueva en forma inesperada.
- **No utilice la herramienta en presencia de polvo, gases o vapores inflamables.** La herramienta puede producir una chispa que le prenda fuego a los gases y provoque un incendio. Clavar un clavo sobre otro clavo también puede producir una chispa.
- **Mantenga la cara y las partes del cuerpo alejados de la parte posterior de la tapa de la herramienta cuando trabaje en áreas restringidas.** Un retroceso repentino puede ocasionar un impacto al cuerpo, especialmente al clavar en materiales duros o densos.
- **Agarre la herramienta firmemente para mantener el control mientras permite que la misma retroceda de la superficie de trabajo cuando se inserta el clavo.** En el modo de tope si se permite que el activador por contacto vuelva a estar en contacto con la superficie de trabajo antes de soltar el gatillo, se clavará un clavo no deseado en el lugar del disparo.
- La elección del método de disparo es importante. Verifique las opciones de disparo en el manual.

### Selector De Tope/Secuencial

#### Acción secuencial /

- **Cuando utilice el modo secuencial, no opere la herramienta a menos que esté firmemente colocada contra la pieza de trabajo.**

#### Acción de tope IIII

- **Cuando utilice la herramienta en modo de tope, tenga cuidado con los dobles disparos involuntarios que produce el retroceso de la herramienta.** Es posible que se coloquen clavos innecesarios si el activador por contacto vuelve a tocar accidentalmente la superficie de la pieza de trabajo.

#### Para Evitar Los Dobles Disparos:

- No empuje la herramienta contra la superficie de la pieza de trabajo con mucha fuerza.
- Deje que la herramienta retroceda completamente después de cada acción.
- Utilice la herramienta en modo secuencial.

- **Cuando opere la unidad en modo de "tope", mantenga siempre el control de la herramienta.** La posición inadecuada de la herramienta puede provocar una descarga mal dirigida del clavo.
- **No coloque clavos en las cabezas de otros clavos.** Podría producirse un fuerte retroceso, el atascamiento de los clavos o el rebote de los clavos.
- **Conozca el espesor del material cuando utilice la clavadora.** Un clavo que sobresale puede provocar lesión.
- **Ajuste de la profundidad: Para reducir el riesgo de lesiones graves debidas a una puesta en marcha accidental al tratar de ajustar la profundidad, SIEMPRE;**
  - Retire el paquete de baterías.
  - Active el botón de bloqueo del gatillo.
  - Evite tocar el gatillo durante los ajustes
- **No coloque clavos a ciegas en paredes, pisos u otras áreas de trabajo.** Los elementos de fijación que se colocan en cables eléctricos con corriente, cañerías de agua u otros tipos de obstrucciones pueden provocar lesiones.
- **Permanezca alerta, concéntrese en lo que está haciendo y utilice el sentido común cuando emplee una herramienta eléctrica. No utilice la herramienta si está cansado o bajo el efecto de drogas, alcohol o medicamentos.** Un momento de descuido mientras se opera una herramienta eléctrica puede provocar daños personales graves.

### Instrucción Adicional de Seguridad



**ADVERTENCIA:** Use **SIEMPRE** lentes de seguridad.

Los anteojos de diario **NO SON** lentes de seguridad. Utilice además una cubrebocas o mascarilla antipolvo si la operación de corte genera demasiado polvo. **SIEMPRE LLEVE EQUIPO DE SEGURIDAD CERTIFICADO:**

- protección ocular ANSI Z87.1 (CAN/CSA Z94.3),
- protección auditiva ANSI S12.6 (S3.19),
- protección respiratoria NIOSH/OSHA/MSHA.



**ADVERTENCIA:** Algunas partículas de polvo generadas al lijar, serrar, esmerilar y taladrar con herramientas eléctricas, así como al realizar otras actividades de construcción, contienen químicos que el Estado de California sabe que pueden producir cáncer, defectos congénitos u otras afecciones reproductivas. Ejemplos de estos químicos son:

- plomo de algunas pinturas en base a plomo,
- polvo de sílice proveniente de ladrillos y cemento y otros productos de albañilería, y
- arsénico y cromo provenientes de madera tratada químicamente.

Su riesgo de exposición a estos químicos varía, dependiendo de la frecuencia con la cual realiza usted este tipo de trabajo. Para reducir su exposición a estas sustancias químicas: trabaje en una zona bien ventilada y llevando equipos de seguridad aprobados, como mascarillas antipolvo especialmente diseñadas para filtrar partículas microscópicas.



- **Evite el contacto prolongado con polvo generado por el lijado, aserrado, pulido, taladrado y otras actividades de construcción. Vista ropas protectoras y lave las áreas de la piel expuestas con agua y jabón.** Si permite que el polvo se introduzca en la boca u ojos o quede sobre la piel, puede favorecer la absorción de productos químicos peligrosos.



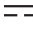


**⚠ ADVERTENCIA:** La utilización de esta herramienta puede generar polvo o dispersarlo, lo que podría causar daños graves y permanentes al sistema respiratorio, así como otras lesiones. Siempre use protección respiratoria aprobada por NIOSH (Instituto Nacional de Seguridad y Salud en el Trabajo) u OSHA (Administración de Seguridad y Salud en el Trabajo) apropiada para la exposición al polvo. Dirija las partículas en dirección contraria a la cara y el cuerpo.

**⚠ ADVERTENCIA:** Siempre lleve la debida protección auditiva personal en conformidad con ANSI S12.6 (S3.19) durante el uso de esta herramienta. Bajo algunas condiciones y duraciones de uso, el ruido producido por este producto puede contribuir a la pérdida auditiva.

**⚠ ATENCIÓN:** Cuando no esté en uso, guarde la herramienta apoyada en un costado sobre una superficie estable, donde no interrumpa el paso o provoque una caída. Algunas herramientas con paquetes de baterías de gran tamaño pueden colocarse paradas sobre el paquete de baterías, pero pueden caerse fácilmente.

- **Los orificios de ventilación suelen cubrir piezas en movimiento, por lo que también se deben evitar.** Las piezas en movimiento pueden atrapar prendas de vestir sueltas, joyas o el cabello largo.

La etiqueta de su herramienta puede incluir los siguientes símbolos. A continuación se indican los símbolos y sus definiciones:

V .....	voltios		or AC/DC... corriente alterna o directa
Hz .....	hertz		..... Construcción de Clase II (doble aislamiento)
min .....	minutos	$n_0$ .....	..... velocidad sin carga
 or DC.....	direct current	$n$ .....	..... velocidad nominal
 .....	Construcción de Clase I (tierra)		..... terminal de conexión a tierra
.../min.....	por minuto		..... símbolo de advertencia de seguridad
BPM .....	golpes por minuto		..... radiación visible
IPM .....	impactos por minuto		..... protección respiratoria
RPM .....	revoluciones por minuto		..... protección ocular
sfpm .....	pies de superficie por minuto		..... protección auditiva
SPM .....	pasadas por minuto		..... lea toda la documentación
A .....	amperios		
W .....	watios		
 or AC.....	corriente alterna		
 .....	modo de activación con capacidad de contacto		

## BATERÍAS Y CARGADORES

La batería no viene completamente cargada de fábrica. Antes de utilizar la batería y el cargador, lea las siguientes instrucciones de seguridad y luego siga los procedimientos de carga indicados. Cuando pida baterías de repuesto, no olvide indicar el número de catálogo y el voltaje.

Su herramienta utiliza un cargador DEWALT. Lea todas las instrucciones de seguridad antes de usar el cargador. Consulte la tabla al final de este manual para información sobre compatibilidad entre cargadores y baterías.

### LEA TODAS LAS INSTRUCCIONES

## Instrucciones de Seguridad Importantes Para Todas las Unidades de Batería

**⚠ ADVERTENCIA:** Lea todas las advertencias de seguridad y todas las instrucciones para la batería, el cargador y la herramienta eléctrica. No seguir las advertencias y las instrucciones puede provocar una descarga eléctrica, un incendio y/o lesiones graves.

- **No cargue o use la unidad de batería en atmósferas explosivas, como en presencia de líquidos, gases o polvos inflamables.** Puede que al insertar o sacar la unidad de batería del cargador se inflamen el polvo o los gases.
- **NUNCA fuerce la unidad de batería para que entre en el cargador. NO modifique la unidad de batería en ninguna forma para que entre en un cargador no compatible, pues puede producir una ruptura en la unidad de batería y causar lesiones corporales graves.** Consulte la tabla al final de este manual para ver la compatibilidad entre baterías y cargadores.
- Cargue las unidades de batería sólo en los cargadores designados por DEWALT.
- **NO salpique con ni sumerja en agua u otros líquidos.**
- **No guarde ni use la herramienta y unidad de batería en lugares donde la temperatura pueda alcanzar o superar los 40 °C (104 °F), tales como cobertizos o construcciones de metal durante el verano.** Almacene las unidades de batería en lugares frescos y secos para maximizar su vida útil.  
**NOTA: No almacene las unidades de batería en la herramienta con el interruptor de gatillo en posición encendida fija. Nunca use cinta adhesiva para mantener el interruptor de gatillo en posición ENCENDIDA.**
- **No incinere la unidad de batería, aunque esté completamente dañada o descargada. La unidad de batería puede explotar si se quema.** Cuando se queman unidades de batería de iones de litio, se producen gases y materiales tóxicos.
- **Si el contenido de la batería entra en contacto con la piel, lave el área de inmediato con agua y un jabón suave.** Si el líquido de la batería entra en contacto con sus ojos, enjuáguelos con agua y los ojos abiertos por 15 minutos o hasta que cese la irritación. Si se requiere

## ESPAÑOL

de asistencia médica, el electrolito de la batería está compuesto por una mezcla de carbonatos orgánicos líquidos y sales de litio.

- **El contenido de los elementos abiertos de la batería puede causar irritación en el tracto respiratorio.** Salga al aire fresco. Si los síntomas persisten, busque asistencia médica.



**ADVERTENCIA:** Peligro de quemaduras. El líquido de la batería puede ser inflamable si se expone a chispas o llamas.



**ADVERTENCIA:** Peligro de incendio. Nunca intente abrir la unidad de batería por ningún motivo. Si la caja exterior de la unidad de batería se triza o daña, no la introduzca en el cargador. No triture, deje caer o dañe la unidad de batería. No use una unidad de batería o un cargador que haya sido golpeado, dejado caer, atropellado o dañado en cualquier forma (por ejemplo, perforado por un clavo, golpeado con un martillo, pisado). Lleve sus unidades de batería dañadas al centro de servicio para que sean recicladas.

## Transporte



**ADVERTENCIA: Peligro de incendio. No guarde o transporte la batería de forma que los terminales expuestos de la misma puedan estar en contacto con objetos metálicos.** Por ejemplo, no ponga la batería en delantales, bolsillos, cajas de herramientas, estuches de productos, cajones, etc., junto con clavos, tornillos, y llaves, etc. sueltos. **El transporte de baterías puede causar incendios si sus terminales inadvertidamente entran en contacto con materiales conductores como llaves, monedas, herramientas manuales y otros por el estilo.** El Reglamento sobre Materiales Peligrosos (HMR) del Departamento de Transporte de EE.UU. prohíbe transportar baterías comercialmente o en aviones en el equipaje de mano A MENOS que estén debidamente protegidas contra cortocircuitos. Por lo tanto, cuando transporte baterías individuales, asegúrese de que sus terminales estén protegidos y debidamente aislados de los materiales que pudieran entrar en contacto con ellos y provocar un cortocircuito.

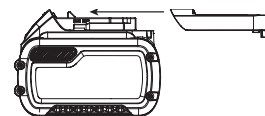
**NOTA:** Las baterías de iones de litio no deben colocarse dentro del equipaje registrado.

## TRANSPORTE DE LA BATERÍA FLEXVOLT™ DE DEWALT

La batería FLEXVOLT™ de DEWALT tiene dos modalidades: **Uso y transporte.**

**Modalidad de uso:** Cuando la batería FLEXVOLT™ está independiente o está en un producto DEWALT de 20 V Máx\* funcionará como una batería de 20 V Máx\*. Cuando la batería FLEXVOLT™ está en un producto de 60 V Máx\* o 120 V Máx\* (dos baterías de 60 V Máx\*), funcionará como una batería de 60V Máx\*.

**Modalidad de transporte:** Cuando la batería FLEXVOLT™ tiene puesta la tapa,



la batería está en modalidad de transporte. Cadenas de celdas están desconectadas eléctricamente dentro de la unidad de batería, lo que resulta en tres baterías con una capacidad nominal de vatios hora (Wh) inferior comparada con una batería con una capacidad nominal de vatios hora superior. Esta mayor cantidad de tres baterías con una capacidad nominal de vatios-hora menor puede hacer que la unidad de batería quede exenta de ciertos reglamentos de transporte que se imponen a las baterías con mayor capacidad nominal de vatios-hora.

La etiqueta en la batería indica dos capacidades nominales de vatios-hora (ver el ejemplo). Dependiendo de cómo se transporta la batería, debe usarse la capacidad nominal vatios-hora apropiada para determinar los requisitos de transporte aplicables. Si se utiliza la tapa de transporte, la unidad de batería será considerada tres baterías con la capacidad nominal de vatios-hora indicada para «Transporte». Si se transporta sin la tapa o en una herramienta, la unidad de batería será considerada una batería con la capacidad nominal de vatios-hora indicada al lado de «Uso».

Ejemplo de Marcado en Etiqueta de Uso y Transporte

**USE: 120 Wh Shipping: 3 x 40 Wh**

Por ejemplo, la capacidad nominal de Wh de Transporte puede indicar 3 x 40 Wh, lo que significa 3 baterías de 40 vatios-hora cada una. La capacidad nominal de Wh de Uso puede indicar 120 Wh (se implica 1 batería).

## Unidades de Batería con Indicador de Carga (Fig. B)

Algunas unidades de batería DEWALT incluyen un indicador de carga que consiste de tres luces LED verdes que indican el nivel de carga que queda en la unidad de batería.

El indicador de carga es una indicación de niveles aproximados de carga que quedan en la batería según los indicadores siguientes:

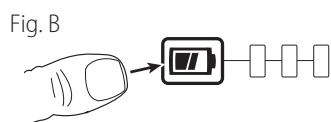
 75–100% cargada

 51–74% cargada

 < 50% cargada

 La batería tiene que cargarse

Para activar el indicador de carga, presione y sostenga el botón del indicador. Se iluminará una combinación de las tres luces LED verdes, que indicará el nivel de carga que queda. Cuando el nivel de carga está por debajo del nivel útil, el indicador no se iluminará, y la batería deberá recargarse.



**NOTA:** El indicador de carga es sólo eso: un indicador de la carga de la unidad de batería. No indica el nivel de funcionalidad de la herramienta y puede variar de acuerdo a las piezas del producto, la temperatura y la aplicación que el usuario le dé.

Para mayor información sobre unidades de batería con indicadores de carga, por favor llame al 1-800-4-DEWALT (1-800-433-9258) o visite nuestro sitio Web: [www.dewalt.com](http://www.dewalt.com).

### El sello RBRC®

El sello RBRC® (Rechargeable Battery Recycling Corporation) en las baterías (unidades de batería) de níquel cadmio, níquel e hidruro metálico o de iones de litio indica que el costo de reciclaje de estas baterías (o unidades de batería) al llegar al final de su vida de servicio ya ha sido pagado por DEWALT. En algunas áreas, es ilegal depositar baterías de níquel cadmio, níquel e hidruro metálico o de iones de litio gastadas en la basura o la corriente de residuos sólidos urbanos; el programa Call 2 Recycle® proporciona una alternativa ecológica.



Call 2 Recycle, Inc., en cooperación con DEWALT y otros usuarios de baterías, han establecido programas en los Estados Unidos y Canadá para facilitar la recolección de baterías de níquel cadmio, níquel e hidruro metálico o de iones de litio gastadas. Al llevar sus baterías de níquel cadmio, níquel e hidruro metálico y de iones de litio gastadas a un centro de servicio autorizado por DEWALT o al minorista local para que sean recicladas, ayuda a proteger el medio ambiente y a conservar recursos naturales. También puede comunicarse con el centro de reciclaje de su localidad para mayor información sobre dónde llevar sus baterías gastadas.

RBRC® es una marca comercial registrada de Call 2 Recycle, Inc.

### Instrucciones Importantes de Seguridad Para Todos los Cargadores de Baterías



**ADVERTENCIA:** Lea todas las advertencias de seguridad y todas las instrucciones para la batería, el cargador y la herramienta eléctrica. No seguir las advertencias y las instrucciones puede provocar una descarga eléctrica, un incendio y/o lesiones graves.

- **NO intente cargar la unidad de batería con otros cargadores que no sean los descritos en este manual.** El cargador y la unidad de batería fueron específicamente diseñados para trabajar en conjunto.
- **Estos cargadores no fueron diseñados para ser utilizados para más que cargar las baterías recargables DEWALT.** Cualquier otro uso puede producir riesgo de incendios, descargas eléctricas o electrocución.
- **No exponga el cargador a la lluvia o a la nieve.**

- **Tire del enchufe y no del cable cuando desconecte el cargador.** De esta forma se reduce el riesgo de daño al enchufe y cable.
- **Asegúrese de que el cable no sea ubicado de manera que podría ser pisado, causar que alguien tropiece con él o ser expuesto a otro tipo de daños y desgastes.**
- **No use un alargador a menos que sea absolutamente necesario.** El uso de un alargador incorrecto podría producir riesgo de incendios, descargas eléctricas o electrocución.
- **Cuando opere un cargador al exterior, hágalo siempre en un lugar seco y use un alargador apropiado para uso al exterior.** El uso de un alargador apropiado para uso al exterior reduce el riesgo de descarga eléctrica.
- **Los hilos del alargador deben ser de un calibre apropiado (AWG o American Wire Gauge) para su seguridad.** Mientras menor sea el calibre del hilo, mayor la capacidad del cable. Es decir, un hilo calibre 16 tiene mayor capacidad que uno de 18. Un cable de un calibre insuficiente causará una caída en la tensión de la línea dando por resultado una pérdida de energía y sobrecalentamiento. Cuando se utilice más de un alargador para completar el largo total, asegúrese que los hilos de cada alargador tengan el calibre mínimo. La tabla siguiente muestra el tamaño correcto a utilizar, dependiendo de la longitud del cable y del amperaje nominal de la placa de identificación. Si tiene dudas sobre cuál calibre usar, use un calibre mayor. Cuanto menor sea el número del calibre, más resistente será el cable.

Calibre mínimo de conjuntos de cables

Voltios	Longitud total del cable en pies (metros)					
	120 V	25 (7,6)	50 (15,2)	100 (30,5)	150 (45,7)	
240 V	50 (15,2)	100 (30,5)	200 (61,0)	300 (91,4)		
Amperaje nominal		AWG				
Más de	No Más de					
0	6	18	16	16	14	
6	10	18	16	14	12	
10	12	16	16	14	12	
12	16	14	12	No recomendado		

- **No coloque ningún objeto encima del cargador ni coloque a este sobre una superficie blanda que pudiera bloquear las ranuras de ventilación y resultar en un calor interno excesivo.** Coloque el cargador en un lugar alejado de cualquier fuente de calor. El cargador se ventila a través de las ranuras que se encuentran en la parte superior e inferior de la caja protectora.
- **No opere el cargador si su cable o enchufe están dañados.**
- **No opere el cargador si ha recibido un golpe agudo, si se ha caído o si ha sido dañado de alguna otra forma.** Llévelo a un centro de servicio autorizado.

## ESPAÑOL

- **No desarme el cargador; llévalo a un centro de servicio autorizado cuando deba ser reparado.** Si es reensamblado incorrectamente, puede causar descargas eléctricas, electrocución o incendios.
- **Desenchufe el cargador antes de intentar limpiarlo. Esto reducirá el riesgo de descargas eléctricas.** El retirar el paquete de baterías no reducirá este riesgo.
- **NUNCA** intente conectar 2 cargadores entre sí.
- **El cargador está diseñado para operar con una corriente eléctrica estándar residencial de 120 V. No intente usarlo con ningún otro voltaje.** Esto no aplica al cargador vehicular.

**!** **ADVERTENCIA:** Peligro de descarga eléctrica. No permita que ningún líquido se introduzca en el cargador. Puede producir descargas eléctricas.

**!** **ADVERTENCIA:** Peligro de quemaduras. No sumerja la unidad de batería en líquido de ningún tipo ni permita que se introduzca ningún tipo de líquido a la unidad de batería. Nunca intente abrir la unidad de batería por ningún motivo. Si la caja plástica de la unidad de batería se triza o rompe, llévela a un centro de servicio para su reciclaje

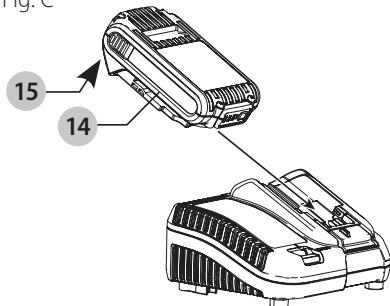
**!** **ATENCIÓN:** Peligro de quemaduras. Para reducir el riesgo de lesiones, sólo cargue unidades de batería recargables marca DEWALT. Otros tipos de batería podrían sobrecalentarse y reventar lo que podría resultar en lesiones corporales y daños a su propiedad.

**!** **ATENCIÓN:** Bajo ciertas condiciones, cuando el cargador está enchufado a una toma de corriente, el cargador puede hacer cortocircuito si entra en contacto con algún material ajeno. Los materiales ajenos de naturaleza conductora, como el polvo de esmerilado, las placas de metal, la lana de acero, el papel de aluminio y otros, o cualquier acumulación de partículas metálicas deberían mantenerse alejados de las cavidades del cargador. Desenchufe siempre el cargador cuando no haya una unidad de batería en su cavidad. Desenchufe el cargador antes de intentar limpiarlo.

## Carga de una batería (Fig. C)

1. Enchufe el cargador en una toma de corriente apropiada antes de introducir la batería.

Fig. C



2. Inserte la batería **14** en el cargador, comprobando esté bien fija. La luz roja (de carga) parpadeará continuamente para indicar que se ha iniciado el proceso de carga.

3. La luz roja se quedará ENCENDIDA continuamente cuando se haya completado el proceso de carga. La batería estará entonces completamente cargada y podrá ser utilizada de inmediato o dejarse en el cargador. Para sacar la batería del cargador, presione el botón de liberación **15** de la batería.

**NOTA:** Para asegurar el máximo rendimiento y vida útil de las baterías de iones de litio, cargue la batería completamente antes de usarla por primera vez.

## Funcionamiento del cargador

Consulte los indicadores a continuación relativos al estado de carga de la batería.

DCB107, DCB112, DCB113, DCB115, DCB118, DCB132	
Unidad en Proceso de Carga	— — — — —
Unidad Cargada	—————
Retraso por Unidad Caliente/ Fría*	— — — — —   —————

**\*DCB107, DCB112, DCB113, DCB115, DCB118, DCB132:** La luz roja continuará parpadeando, pero una luz indicadora amarilla estará iluminada durante esta operación. Una vez que la batería haya llegado a una temperatura apropiada, la luz amarilla se apagará y el cargador continuará con el procedimiento de carga.

El cargador no cargará una batería defectuosa. El cargador indicará que la unidad de batería es defectuosa al no iluminarse.

**NOTA:** Esto también puede significar que hay un problema con el cargador.

Si el cargador indica un problema, lleve el cargador y la batería a un centro de servicio autorizado para que sean sometidos a pruebas.

### Retraso por batería caliente/fría

Cuando el cargador detecta que una batería está demasiado caliente o demasiado fría, inicia automáticamente un Retraso por batería caliente/fría y suspende la carga hasta que la batería alcanza una temperatura adecuada. En ese momento, el cargador inicia automáticamente el modo de carga de la batería. Esta función garantiza la máxima duración de la batería.

Una batería fría se carga más lentamente que una batería caliente. La batería se cargará a ese ritmo más lento durante todo el ciclo de carga y no volverá a cargarse a la velocidad de carga máxima incluso si la batería se calienta.

El cargador DCB118 está equipado con un ventilador interno diseñado para enfriar la batería. El ventilador se encenderá automáticamente cuando la batería tenga que enfriarse.

No opere nunca el cargador si el ventilador no funciona adecuadamente o si las ranuras de ventilación están obstruidas. No permita que entren objetos extraños dentro del cargador.

### Sistema de protección electrónica

Las herramientas con baterías de iones de litio están diseñadas con un Sistema de protección electrónico que protegerá la batería contra la sobrecarga, el sobrecalentamiento o la descarga completa.

La herramienta se apagará automáticamente si el Sistema de protección electrónico se activa. Si esto ocurre, coloque la batería de iones de litio en el cargador hasta que esté totalmente cargada.

## Montaje en la pared

### DCB107, DCB112, DCB113, DCB115, DCB118, DCB132

Estos cargadores están diseñados para montarse en la pared o colocarse en posición vertical sobre una mesa o superficie de trabajo. Si lo monta en la pared, coloque el cargador al alcance de una toma de corriente eléctrica y alejado de las esquinas u otras obstrucciones que puedan impedir el flujo de aire. Utilice la parte de atrás del cargador como plantilla para la ubicación de los tornillos de montaje en la pared. Monte el cargador firmemente utilizando tornillos para muro seco (comprados por separado) de un mínimo de 25,4 mm (1") de largo, con una cabeza de un diámetro de 7-9 mm (0,28-0,35"), atornillados en madera hasta una profundidad óptima dejando el tornillo expuesto aproximadamente 5,5 mm (7/32"). Alinee las ranuras en la parte trasera del cargador con los tornillos expuestos e introdúzcalos totalmente en las ranuras.

## Instrucciones de limpieza del cargador



**ADVERTENCIA:** Riesgo de descarga eléctrica. Desconecte el cargador del tomacorriente de CA antes de limpiarlo. Para limpiar la suciedad y grasa del exterior del cargador puede usarse un paño o cepillo suave no metálico. No use agua ni soluciones limpiadoras.

## Notas importantes sobre la carga

- Se puede obtener una mayor duración y un mejor rendimiento si la unidad de batería se carga a una temperatura ambiente de 18 – 24 °C (65 – 75 °F). NO cargue cuando el paquete de batería esté debajo de +4,5 °C (+40 °F), o arriba de +40 °C (+104 °F). Esto es importante y evitará causar daños graves a la batería.
- Puede que el cargador y la unidad de batería se calienten ligeramente durante el proceso de carga. Esto es normal y no representa ningún problema. Para facilitar el enfriamiento de la unidad de batería después del uso, evite colocar el cargador o la unidad de batería en un lugar cálido, como un cobertizo metálico o un remolque sin aislamiento térmico.
- Si la unidad de batería no se carga correctamente:
  - Verifique el funcionamiento de la toma enchufando una lámpara u otro aparato;
  - Revise que la toma de corriente no esté conectada a un interruptor de luz que corte la corriente cuando se corte la luz;

- Mueva el cargador y la unidad de batería a un lugar donde la temperatura ambiental sea aproximadamente 18 – 24 °C (65 – 75 °F);
  - Si el problema de carga continúa, lleve la herramienta, unidad de batería y el cargador a su centro de servicio local.
- La unidad de batería debería ser recargada cuando no sea capaz de producir suficiente potencia para trabajos que eran fácilmente realizados antes. NO CONTINÚE usándola bajo estas circunstancias. Siga el procedimiento de carga. También puede cargar una unidad de batería que haya sido usada parcialmente cuando lo desee, sin dañarla.
  - Los materiales ajenos conductores por naturaleza, tales como, pero sin limitarse a, el polvo del esmerilado, las virutas metálicas, la lana de acero, el papel de aluminio o cualquier acumulación de partículas metálicas deberían mantenerse alejados de las cavidades del cargador. Desenchufe siempre el cargador de la toma de corriente cuando no haya una unidad de batería en su cavidad. Desenchufe el cargador antes de intentar limpiarlo.
  - No congele ni sumerja el cargador en agua o cualquier otro líquido.

## Recomendaciones de almacenamiento

- El mejor lugar de almacenamiento es uno que sea fresco y seco, lejos de la luz solar directa y del exceso de calor o frío.
- Para resultados óptimos durante tiempos prolongados de almacenamiento, se recomienda almacenar la unidad de batería completamente cargada en un lugar fresco y seco fuera del cargador.

**NOTA:** Las unidades de batería no deberían almacenarse completamente descargadas. La unidad de batería deberá recargarse antes de ser usada.

## GUARDE ESTAS INSTRUCCIONES PARA VOLVER A CONSULTAR EN EL FUTURO

## COMPONENTES (FIG. A)



**ADVERTENCIA:** Nunca modifique la herramienta eléctrica, ni tampoco ninguna de sus piezas. Podría producir lesiones corporales o daños.

Consulte la Figura A al principio de este manual para obtener una lista completa de los componentes.

## Uso Debido

Su clavadora inalámbrica ha sido diseñada para clavar clavos en piezas de trabajo de madera.

**NO** utilice la herramienta en condiciones de humedad o en presencia de líquidos o gases inflamables.

Su clavadora inalámbrica es una herramienta eléctrica profesional.

## ESPAÑOL

**NO** permita que los niños toquen la herramienta. Si el operador no tiene experiencia operando esta herramienta, su uso deberá ser supervisado.

Especificaciones de la herramienta	
Modo de disparo	Seleccionable: Secuencial o tope
Voltaje	20
Altura	312,4 mm (12,3")
Ancho	93,9 mm (3,7")
Longitud	302,2 mm (11,9")
Peso (sin la batería)	2,5 kg (5,6 lbs)
Ángulo del depósito	Recto
Capacidad de carga	110 clavos

Especificaciones de los clavos	
Longitudes de clavos rectos	31,8 - 63,5mm (1-1/4 - 2-1/2")
Diámetros del vástago	Calibre 16
Ángulos de la tira de clavos	Rectos

## MONTAJE Y AJUSTES

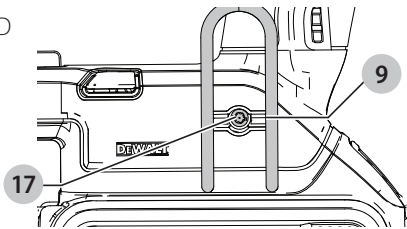
**!** **ADVERTENCIA:** Para reducir el riesgo de lesiones personales graves, apague la herramienta y retire el paquete de baterías antes de realizar ajustes o de retirar/installar dispositivos o accesorios. Un arranque accidental podría causar lesiones.

### Gancho para cinturón (Fig. D)

Las clavadoras inalámbricas incluyen un gancho para cinturón integrado **9** este puede instalarse en cualquiera de los lados de la herramienta para adaptarse a los usuarios zurdos o diestros.

Si no se desea el gancho, se puede remover de la herramienta.

Fig. D



### Para ajustar la ubicación de gancho de cinturón

**!** **ADVERTENCIA:** Extraiga los clavos del depósito antes de hacer ajustes o dar servicio a la herramienta. De no hacerlo puede resultar en lesiones graves.

**!** **ADVERTENCIA:** Desconecte la batería de la herramienta antes de realizar ajustes, cambiar accesorios o mover la herramienta. Estas medidas de seguridad preventiva reducen el riesgo de poner en marcha la herramienta accidentalmente.

**!** **ATENCIÓN:** Cuando no se use, guarde la herramienta en posición horizontal sobre una superficie estable, donde no interrumpa el paso o provoque una caída. Algunas herramientas con baterías grandes se sostienen sobre la batería, pero pueden caer fácilmente.

1. Extraiga la batería de la herramienta.
2. Para hacer el cambio de uso para diestros o zurdos, basta con quitar el tornillo **17** del lado opuesto de la herramienta y volver a montarlo en el otro lado.
3. Vuelva a poner la batería.

## OPERACIÓN

**!** **ADVERTENCIA:** Para reducir el riesgo de lesiones personales graves, apague la herramienta y retire el paquete de baterías antes de realizar ajustes o de retirar/installar dispositivos o accesorios. Un arranque accidental podría causar lesiones.

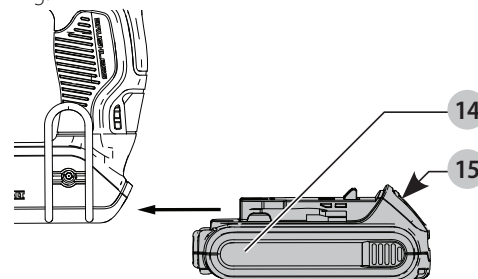
### Cómo instalar y retirar la unidad de batería (Fig. E)

**NOTA:** Para mejores resultados, verifique que su unidad de batería esté completamente cargada.

Para instalar la unidad de batería **14** en el mango de la herramienta, alinee la unidad de batería con los rieles en el interior del mango de la herramienta y deslícela en el mango hasta que la unidad de batería quede firmemente insertada en la herramienta; verifique que ésta no se salga sola.

Para retirar la unidad de batería de la herramienta, presione el botón de liberación **15** y tire firmemente de la de batería para sacarla del mango de la herramienta. Insértela en el cargador tal como se describe en la sección del cargador de este manual.

Fig. E

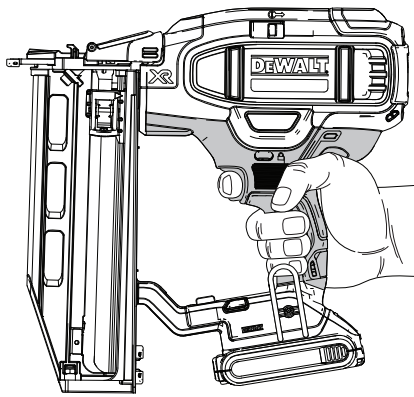


### Posición adecuada de las manos (Fig. F)

**!** **ADVERTENCIA:** Para reducir el riesgo de lesión personal grave, tenga **SIEMPRE** las manos en una posición adecuada.

**!** **ADVERTENCIA:** Para reducir el riesgo de lesión personal grave, sujete **SIEMPRE** bien en caso de que haya una reacción repentina.

Fig. F



## Selección de modos

**⚠ ADVERTENCIA:** Siempre use la protección adecuada para los ojos [ANSI Z87.1 (CAN/CSA Z94.3)] y para los oídos ANSI S12.6 (S3.19) cuando utilice esta herramienta.

Las clavadoras inalámbricas DEWALT se fabrican de acuerdo con la norma ANSI Standard SNT-101-2015.

La clavadora es capaz de disparar clavos utilizando el funcionamiento por tope o el funcionamiento secuencial. Si desea desactivar el modo de funcionamiento por tope, lleve la herramienta a un centro de servicio DEWALT autorizado.

Antes de operar esta herramienta, observe el interruptor selector para determinar el modo de funcionamiento. Lea todas las instrucciones antes de seleccionar el modo de funcionamiento.

**⚠ ADVERTENCIA:** Mantenga los dedos **ALEJADOS** del gatillo cuando no esté clavando para evitar el disparo accidental de clavos. **NUNCA** transporte la herramienta con el dedo en el gatillo. En el modo de tope la herramienta clavará un clavo si se golpea el activador por contacto cuando el gatillo esté apretado.

## Funcionamiento Secuencial ↗ (Fig. G)

Utilice el modo de funcionamiento secuencial para clavado intermitente donde la colocación requiere mucho cuidado, exactitud y control de profundidad. El modo de funcionamiento secuencial proporciona la máxima prestación de potencia para clavar los clavos más largos.

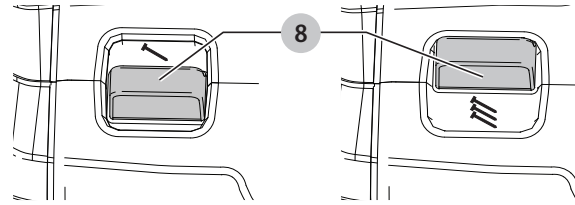
### Para operar la clavadora en modo de funcionamiento secuencial:

1. Deslice el interruptor selector **8** para mostrar el icono del clavo ↗.
2. Oprima por completo la tobera contra la superficie de la pieza de trabajo (el motor se pondrá en marcha).
3. Apriete el gatillo (el clavo penetrará en la superficie de la pieza de trabajo).
4. Suelte el gatillo.
5. Levante la tobera de la superficie de la pieza de trabajo.

6. Repita los pasos 2 a 4 para la próxima aplicación.

**AVISO:** Para cada clavo es necesario oprimir el activador por contacto y luego apretar el gatillo. Luego de esto se debe soltar tanto el activador por contacto como el gatillo después de cada clavo.

Fig. G



## Funcionamiento Por Tope // (Fig. E)

El funcionamiento por tope se utiliza para clavado rápido sobre superficies planas y estacionarias, y generalmente es más eficaz para aplicaciones en las que se clavan clavos más cortos.

Cuando la herramienta está en el modo de funcionamiento por tope, se dispone de dos métodos de funcionamiento de la herramienta: funcionamiento por posición y funcionamiento por tope.

Deslice el interruptor selector **8** para exponer el triple icono del clavo //.

### Para operar la herramienta según el método de funcionamiento por posición:

**⚠ ADVERTENCIA:** Se clavará un clavo cada vez que el gatillo esté presionado siempre que el activador por contacto permanezca presionado.

1. Oprima el activador por contacto contra la superficie de la pieza de trabajo.
2. Apriete el gatillo.

### Para operar la herramienta según el método de funcionamiento por tope:

1. Apriete el gatillo.
2. Empuje el activador por contacto contra la superficie de trabajo. Siempre que el gatillo esté presionado, la herramienta clavará un clavo cada vez que se presione el activador por contacto. Esto permite al usuario clavar múltiples clavos en secuencia.

**⚠ ADVERTENCIA:** No mantenga el gatillo presionado cuando la herramienta no esté en uso. Mantenga el botón de bloqueo del gatillo en posición de bloqueo cuando la herramienta no esté en uso.

**⚠ ADVERTENCIA:** Cuando el motor de la herramienta esté en funcionamiento, apretar el gatillo o presionar el activador por contacto, hará que se clave un clavo.

## Preparación de la herramienta

**⚠ ADVERTENCIA:** **NUNCA** se debe rociar ni aplicar de ninguna forma lubricantes o disolventes limpiadores dentro de la herramienta. Esto puede afectar seriamente la vida y el rendimiento de la herramienta.

**NOTA:** La batería no viene completamente cargada de fábrica.

## ESPAÑOL

Siga las instrucciones suministradas (vea **Procedimientos de carga**).

1. Lea las Instrucciones de seguridad de este manual.
2. Utilice protección ocular y auditiva.
3. Asegúrese que el depósito esté vacío de clavos.
4. Compruebe que el disparador por contacto y las piezas del propulsor funcionen de forma suave y correcta. No utilice la herramienta si alguna pieza no funciona correctamente. **NUNCA** utilice una herramienta con el disparador por contacto situado en la posición de activación.
5. No apunte a ninguna persona ni a usted mismo.
6. Inserte una batería completamente cargada.

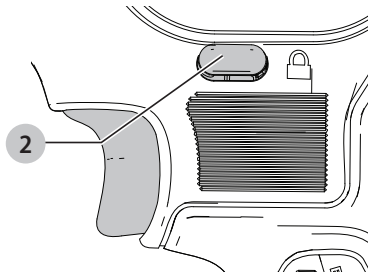
## Uso del botón de bloqueo del gatillo (Fig. H)

**ADVERTENCIA:** Para reducir el riesgo de lesiones corporales graves, no mantenga presionado el gatillo cuando no se está utilizando la herramienta. Mantenga el botón de bloqueo BLOQUEADO (Fig. H) cuando no se esté utilizando la herramienta.

**ADVERTENCIA:** Para reducir el riesgo de lesiones corporales graves, bloquee el gatillo, desconecte la batería de la herramienta y saque los clavos del cargador antes de realizar ajustes.

Cada clavadora DEWALT está equipada con un botón de bloqueo de gatillo **2** que cuando se empuja hacia la derecha, como se muestra en la Figura H, evita que la herramienta dispare un clavo bloqueando el gatillo y circunvalando la potencia al motor.

Fig. H



Cuando se presiona el botón de bloqueo del gatillo hacia la izquierda, la herramienta funciona adecuadamente. El cierre de bloqueo del gatillo deberá estar siempre bloqueado cuando se realizan ajustes o cuando la herramienta no se va a utilizar de inmediato.

**AVISO:** No guarde la herramienta con la batería instalada. Para evitar daños a la batería y asegurar la mejor vida útil de la misma, guarde las baterías fuera de la herramienta o cargador en un lugar frío y seco.

## Carga de La Herramienta (Fig. I)

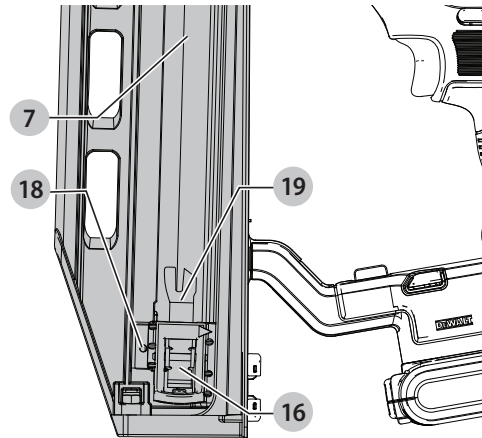
**ADVERTENCIA:** No apunte la herramienta a ninguna persona ni a usted mismo. Pueden producirse graves lesiones corporales.

**ADVERTENCIA:** No cargue nunca clavos con el activador por contacto o el gatillo activados. Pueden producirse lesiones corporales.

**ADVERTENCIA:** Saque siempre la batería antes de cargar o descargar los clavos. Pueden producirse graves lesiones corporales.

1. Cargue los clavos a través de la ranura de la parte trasera del cargador, pasado el clip de retención **18**.
2. Jale el ensamble de la palanca de empuje **16** detrás de la varilla de clavo y suéltelo.
3. Asegúrese de que el empujador del cargador **19** se encuentre detrás de la última barra de clavos.

Fig. I



## Descarga de La Herramienta (Fig. A, I)

**ADVERTENCIA:** El botón de bloqueo del gatillo debe siempre estar bloqueado cuando se realicen ajustes o cuando la herramienta no esté utilizándose.

1. Suelte el ensamble de palanca de empuje **16** para que ya no aplique fuerza a las varillas de clavo.
2. Deslice barra de clavos hacia abajo y hacia afuera a través de la ranura de la parte trasera del cargador.
3. Abra el pestillo de liberación de atascos **5** de la boca de la herramienta para comprobar que no hayan quedado clavos.

## Ajuste de profundidad (Fig. J)

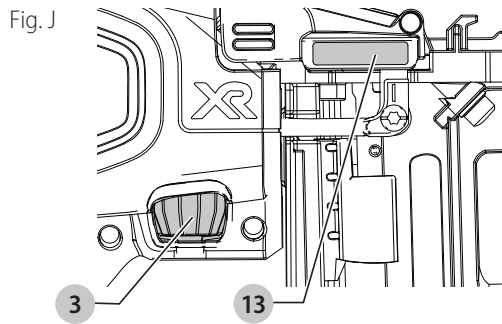
La profundidad de clavado se puede modificar mediante la rueda de ajuste de profundidad **3** situada en la parte lateral de la herramienta.

**ADVERTENCIA:** Para reducir el riesgo de lesiones graves debidas a una puesta en marcha accidental al tratar de ajustar la profundidad, SIEMPRE:

- Quite la batería.
- Active el botón de bloqueo del gatillo.
- Evite el contacto con el gatillo durante los ajustes.

1. Para que el clavo se hunda menos (⊖), gire la rueda de ajuste de profundidad **3** lejos de la tobera.
2. Para hundir el clavo más profundamente (⊕), gire la rueda de ajuste de profundidad **3** hacia la tobera.

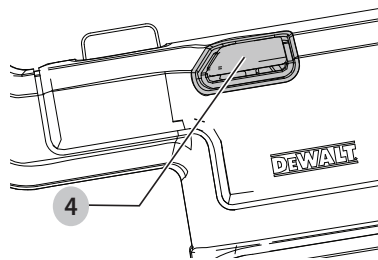




### Luces (Fig. K)

Hay una luz **4** ubicada a cada lado de la clavadora. Las luces se prenden al insertar la batería, activar el gatillo u oprimir el disparador por contacto. Las luces se apagan automáticamente después de 20 segundos, a menos que la herramienta se siga utilizando.

Fig. K



**NOTA:** Estas luces son para iluminar la superficie de trabajo inmediata y no para usar como luz de linterna.

**INDICADOR DE BATERÍA BAJA:** El faro izquierdo parpadeará cuatro veces consecutivas y luego se apagará para indicar que la batería está baja.

**INDICADOR DE UN CLAVO ATASCADO:** El faro derecho parpadeará continuamente si un clavo queda atascado en la tobera (ver **Extracción de un clavo atascado**).

### Extracción de un clavo atascado (Fig. A, L)

Si se atasca un clavo en la tobera, no apunte la herramienta hacia usted y siga estas instrucciones para extraerlo:

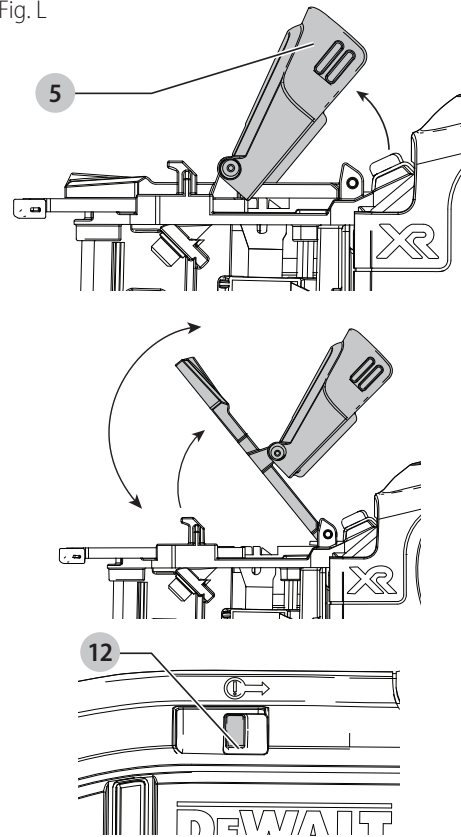
1. Saque la batería de la herramienta y active el botón de bloqueo del gatillo.
2. Suelte el ensamblaje de palanca de empuje para que ya no aplique fuerza a las varillas de clavo.
3. Levante el seguro de desobstrucción **5** y luego tire hacia arriba para abrir la compuerta de la tobera.
4. Saque el clavo doblado con unas pinzas si es necesario.
5. Si la hoja de la guía está en posición hacia abajo, mueva hacia adelante y hacia atrás la palanca de liberación de parada **12** utilizando suficiente fuerza para deslizarla totalmente hasta el otro extremo de la ranura de las cajas protectoras.
6. Cierre la compuerta de la tobera y engrane el seguro bajo los dos brazos en la tobera. Empuje el seguro hasta que se bloquee en su sitio.

7. Vuelva a insertar la batería.

**NOTA:** La herramienta se desactivará y no se reajustará hasta que se haya sacado la batería y se haya vuelto a insertar.

8. Vuelva a insertar los clavos en el depósito (consulte **Carga de la herramienta**).

Fig. L



**NOTA:** En el caso de que los clavos continúen atascándose frecuentemente en la tobera, lleve la herramienta a un centro de servicio autorizado de DEWALT.

### Funcionamiento en clima frío

Cuando las herramientas se usan a temperaturas bajo cero:

1. Mantenga la herramienta tan caliente como pueda antes de usarla.
2. Accione la herramienta 5 o 6 veces en madera de deshecho antes de usar.

### Funcionamiento en clima cálido

La herramienta debe funcionar con normalidad. No obstante, no exponga la herramienta a la luz solar directa, ya que el calor excesivo puede dañar los toques u otras piezas de goma, lo cual causa un incremento en el mantenimiento.

### MANTENIMIENTO



**ADVERTENCIA:** Para reducir el riesgo de lesiones personales graves, apague la herramienta y retire el paquete de baterías antes de realizar ajustes o de retirar/installar dispositivos o accesorios. Un arranque accidental podría causar lesiones.

## ESPAÑOL

### Limpieza



**ADVERTENCIA:** *Sople la suciedad y el polvo de todos los conductos de ventilación con aire seco, al menos una vez por semana. Para reducir el riesgo de lesiones, utilice siempre protección para los ojos aprobada ANSI Z87.1 al realizar esta tarea.*



**ADVERTENCIA:** *Nunca utilice solventes ni otros químicos abrasivos para limpiar las piezas no metálicas de la herramienta. Estos productos químicos pueden debilitar los materiales plásticos utilizados en estas piezas. Utilice un paño humedecido sólo con agua y jabón neutro. Nunca permita que penetre líquido dentro de la herramienta ni sumerja ninguna de las piezas en un líquido.*

### Accesorios



**ADVERTENCIA:** *Debido a que no se han probado con este producto otros accesorios que no sean los que ofrece DEWALT., el uso de dichos accesorios con esta herramienta podría ser peligroso. Para reducir el riesgo de lesiones, con este producto deben usarse sólo los accesorios recomendados por DEWALT.*

Los accesorios que se recomiendan para utilizar con la herramienta están disponibles a un costo adicional en su distribuidor local o en un centro de mantenimiento autorizado. Si necesita ayuda para localizar algún accesorio, póngase en contacto con DEWALT Industrial Tool Co., 701 East Joppa Road, Towson, MD 21286, llame al 1-800-4-DEWALT (1-800-433-9258) o visite nuestro sitio web: [www.dewalt.com](http://www.dewalt.com).

### Reparaciones

El cargador y las unidades de batería no pueden ser reparados.



**ADVERTENCIA:** *Para asegurar la SEGURIDAD y la CONFIABILIDAD del producto, las reparaciones, el mantenimiento y los ajustes (inclusive la inspección y el cambio de las escobillas, cuando proceda) deben ser realizados en un centro de mantenimiento en la fábrica DEWALT u en un centro de mantenimiento autorizado DEWALT. Utilice siempre piezas de repuesto idénticas.*

**Para reparación y servicio de sus herramientas eléctricas, favor de dirigirse al Centro de Servicio más cercano**

#### CULIACAN, SIN

Bld. Emiliano Zapata 5400-1 Poniente Col. (667) 717 89 99  
San Rafael

#### GUADALAJARA, JAL

Av. La Paz #1779 - Col. Americana Sector (33) 3825 6978  
Juárez

#### MEXICO, D.F.

Eje Central Lázaro Cárdenas No. 18 - Local (55) 5588 9377  
D, Col. Obrera

#### MERIDA, YUC

Calle 63 #459-A - Col. Centro (999) 928 5038

#### MONTERREY, N.L.

Av. Francisco I. Madero 831 Poniente - Col. Centro (818) 375 23 13

#### PUEBLA, PUE

17 Norte #205 - Col. Centro (222) 246 3714

#### QUERETARO, QRO

Av. San Roque 274 - Col. San Gregorio (442) 2 17 63 14

#### SAN LUIS POTOSI, SLP

Av. Universidad 1525 - Col. San Luis (444) 814 2383

#### TORREON, COAH

Bld. Independencia, 96 Pte. - Col. Centro (871) 716 5265

#### VERACRUZ, VER

Prolongación Díaz Mirón #4280 - Col. Remes (229) 921 7016

#### VILLAHERMOSA, TAB

Constitución 516-A - Col. Centro (993) 312 5111

#### PARA OTRAS LOCALIDADES:

**Si se encuentra en México, por favor llame al  
(55) 5326 7100**

**Si se encuentra en U.S., por favor llame al  
1-800-433-9258 (1-800 4-DEWALT)**

### Póliza de Garantía

IDENTIFICACIÓN DEL PRODUCTO:

Sello o firma del Distribuidor.

Nombre del producto: \_\_\_\_\_

Mod./Cat.: \_\_\_\_\_

Marca: \_\_\_\_\_

Núm. de serie: \_\_\_\_\_

(Datos para ser llenados por el distribuidor)

Fecha de compra y/o entrega del producto:

Nombre y domicilio del distribuidor donde se adquirió el producto:

Este producto está garantizado por un año a partir de la fecha de entrega, contra cualquier defecto en su funcionamiento, así como en materiales y mano de obra empleados para su fabricación. Nuestra garantía incluye la reparación o reposición del producto y/o componentes sin cargo alguno para el cliente, incluyendo mano de obra, así como los gastos de transportación razonablemente erogados derivados del cumplimiento de este certificado.

Para hacer efectiva esta garantía deberá presentar su herramienta y esta póliza sellada por el establecimiento comercial donde se adquirió el producto, de no contar con ésta, bastará la factura de compra.

## Excepciones

Esta garantía no será válida en los siguientes casos:

- Cuando el producto se hubiese utilizado en condiciones distintas a las normales;
- Cuando el producto no hubiese sido operado de acuerdo con el instructivo de uso que se acompaña;
- Cuando el producto hubiese sido alterado o reparado por personas distintas a las enlistadas al final de este certificado.

Anexo encontrará una relación de sucursales de servicio de fábrica, centros de servicio autorizados y franquiciados en la República Mexicana, donde podrá hacer efectiva su garantía y adquirir partes, refacciones y accesorios originales.

## Registro en línea

Gracias por su compra. Registre su producto ahora para:

- **SERVICIO EN GARANTÍA:** Si completa esta tarjeta, podrá obtener un servicio en garantía más eficiente, en caso de que exista un problema con su producto.
- **CONFIRMACIÓN DE PROPIEDAD:** En caso de una pérdida que cubra el seguro, como un incendio, una inundación o un robo, el registro de propiedad servirá como comprobante de compra.
- **PARA SU SEGURIDAD:** Si registra el producto, podremos comunicarnos con usted en el caso improbable que se deba enviar una notificación de seguridad conforme a la Federal Consumer Safety Act (Ley Federal de Seguridad de Productos para el Consumidor).

Registro en línea en [www.dewalt.com/register](http://www.dewalt.com/register).

## Garantía limitada por tres años

DEWALT reparará, sin cargo, cualquier falla que surja de defectos en el material o la fabricación del producto, por hasta tres años a contar de la fecha de compra. Esta garantía no cubre fallas de las piezas causadas por su desgaste normal o abuso a la herramienta. Para mayores detalles sobre la cobertura de la garantía e información acerca de reparaciones realizadas bajo garantía, visítenos en [www.dewalt.com](http://www.dewalt.com) o diríjase al centro de servicio más cercano. Esta garantía no aplica a accesorios o a daños causados por reparaciones realizadas o intentadas por terceros. ESTA GARANTÍA LIMITADA SE OTORGA EN VEZ DE TODAS LAS DEMÁS, INCLUIDA LA GARANTÍA IMPLÍCITA DE COMERCIABILIDAD Y APTITUD PARA UN FIN PARTICULAR, Y EXCLUYE TODOS LOS DAÑOS INCIDENTALES O CONSECUENTES. Algunos estados no permiten limitaciones sobre la duración de una garantía implícita, o la exclusión o limitación de daños incidentales o consecuentes, así que estas limitaciones pueden no aplicarse a usted. Esta garantía le otorga derechos legales específicos, además de los cuales usted puede tener otros derechos dependiendo del estado o la provincia en que se encuentre.

Además de la garantía, las herramientas DEWALT están cubiertas por:

### 1 AÑO DE SERVICIO GRATUITO

DEWALT mantendrá la herramienta y reemplazará las piezas gastadas por su uso normal, sin cobro, en cualquier momento durante un año a contar de la fecha de compra.

### 2 AÑOS DE SERVICIO GRATUITO PARA UNIDADES DE ALIMENTACIÓN DEWALT

DC9071, DC9091, DC9096, DC9182, DC9280, DC9360, DCB120, DCB127, DCB201, DCB203BT, DCB207, DCB361

### 3 AÑOS DE SERVICIO GRATUITO PARA UNIDADES DE ALIMENTACIÓN DEWALT

DCB200, DCB204, DCB204BT, DCB203, DCB205, DCB205BT, DCB206, DCB230, DCB606, DCB609

**NOTA:** La garantía del producto quedará nula si la unidad de batería ha sido alterada de cualquier manera. DEWALT no es responsable de ninguna lesión causada por alteraciones y podría iniciar un procedimiento judicial por fraude de garantía hasta el máximo grado permisible por la ley.

### GARANTÍA DE REEMBOLSO DE SU DINERO POR 90 DÍAS

Si no está completamente satisfecho con el desempeño de su máquina herramienta, láser o clavadora DEWALT, cualquiera sea el motivo, podrá devolverlo hasta 90 días de la fecha de compra con su recibo y obtener el reembolso completo de su dinero – sin necesidad de responder a ninguna pregunta.

**AMÉRICA LATINA:** Esta garantía no se aplica a los productos que se venden en América Latina. Para los productos que se venden en América Latina, debe consultar la información de la garantía específica del país que viene en el empaque, llamar a la compañía local o visitar el sitio Web a fin de obtener esa información.

### REEMPLAZO GRATUITO DE LAS ETIQUETAS DE ADVERTENCIAS:

Si sus etiquetas de advertencia se vuelven ilegibles o faltan, llame al 1-800-433-9258 (1-800-4-DEWALT) para que se le reemplacen gratuitamente.

## ESPECIFICACIONES

DCN662

20 V Máx\*

Solamente para propósito de México:

Importado por: DEWALT Industrial Tool Co. S.A. de C.V.

Avenida Antonio Dovalí Jaime, # 70 Torre B Piso 9

Colonia La Fe, Santa Fé

Código Postal : 01210

Delegación Alvaro Obregón

México D.F.

Tel. (52) 555-326-7100

R.F.C.: BDE810626-1W7

## Guía de Solución de Problemas

MUCHOS PROBLEMAS COMUNES PUEDEN RESOLVERSE FÁCILMENTE UTILIZANDO LA SIGUIENTE TABLA. PARA PROBLEMAS MÁS GRAVES O PERSISTENTES, CONTACTE CON UN CENTRO DE SERVICIO DEWALT O LLAME AL 1-(800)-4-DEWALT.



**ADVERTENCIA:** Para reducir el riesgo de lesiones personales graves, apague la unidad y retire la batería antes de realizar cualquier ajuste o de quitar / instalar accesorios o accesorios. Una puesta en marcha accidental puede causar lesiones.

Síntoma	Causa	Solución
La herramienta no enciende (Las luces no se encienden)	Los componentes electrónicos internos de la herramienta no se reinician	Retire la batería, espere 3 segundos y vuelva a insertar
	Carga baja de batería o batería dañada	Cargue o reemplace la batería
	Las terminales están sucias o dañadas	Consulte a un centro de servicio autorizado
	Disparo de contacto doblado	Consulte a un centro de servicio autorizado
	Componentes electrónicos internos dañados	Consulte a un centro de servicio autorizado
La herramienta no se acciona (Luces encendidas, el motor no funciona)	El motor deja de funcionar después de 4 segundos	Operación normal; gatillo de liberación o disparo de contacto y volver a presionar
	Disparo de contacto o gatillo no presionado	Consulte el manual de instrucciones
	Gatillo dañado	Consulte a un centro de servicio autorizado
	Disparo de contacto doblado	Consulte a un centro de servicio autorizado
	Componentes electrónicos internos dañados	Consulte a un centro de servicio autorizado
	Herramienta en modo secuencial y sólo se activa el gatillo.	Cambie el modo o presione el disparo de contacto en modo secuencial.
La herramienta no se activa (la luz izquierda parpadea 4 veces)	Carga baja de batería o batería dañada	Cargue o reemplace la batería
La herramienta no funciona (las luces derechas parpadean continuamente)	Sujetador atascado	Retire la batería, retire el sujetador atascado, (accione la palanca de liberación de ahogamiento para restablecer la cuchilla del accionador) y vuelva a insertar el paquete de batería
	Mecanismo atascado	Consulte a un centro de servicio autorizado
La herramienta no funciona (Luces encendidas, el motor opera)	Componentes electrónicos internos dañados	Consulte a un centro de servicio autorizado
La herramienta no se acciona (Luces encendidas, el motor funciona, cuchilla del accionador atorada)	Sistema de retorno dañado	Reemplace el sistema de retorno; consulte a un centro de servicio autorizado
	Escombros en la pieza de punta	Limpie la pieza de punta
	Ensamble de accionador/retorno dañado	Reemplace el ensamble de accionador/retorno; consulte a un centro de servicio autorizado
La herramienta funciona, pero no introduce completamente el sujetador	Carga baja de batería o batería dañada	Cargue o reemplace la batería
	Ajuste de profundidad establecido demasiado superficial	Gire la rueda de ajuste de profundidad a un ajuste más profundo
	Herramienta no aplicada firmemente a la pieza de trabajo	Consulte el manual de instrucciones
	La longitud del material y del sujetador es una aplicación demasiado rigurosa	Elija el material o la longitud del sujetador apropiados
	Punta de la cuchilla del accionador dañada o desgastada	Reemplace el ensamble de accionador/retorno; consulte a un centro de servicio autorizado
	Ensamble de accionador/retorno dañado o desgastado	Reemplace el ensamble de accionador/retorno; consulte a un centro de servicio autorizado

Síntoma	Causa	Solución
La herramienta funciona, pero no se introducen los sujetadores	No hay sujetadores en el cargador	Cargue los sujetadores en el cargador
	Sujetadores de tamaño o ángulo incorrecto	Use sólo sujetadores recomendados
	Escombros en la pieza de punta	Limpie la pieza de punta
	Desechos en el cargador	Limpie el cargador
	Cargador desgastado	Reemplace el cargador; consulte a un centro de servicio autorizado
	Cuchilla del accionador dañada o desgastada	Reemplace el ensamble de accionador/retorno; consulte a un centro de servicio autorizado
	Resorte de palanca de empuje dañado	Reemplace el resorte; consulte a un centro de servicio autorizado
La herramienta está bloqueada, pero no se introducen sujetadores	La herramienta está equipada con una función de bloqueo de disparo en seco para evitar que la herramienta se dispare cuando no hay sujetadores cargados. Cuando el indicador bajo de clavos es visible, la herramienta se está quedando sin sujetadores.	Cargue los sujetadores en el cargador
Sujetador atascado	Sujetadores de tamaño o ángulo incorrecto	Use sólo sujetadores recomendados
	Cuchilla del accionador dañada o desgastada	Reemplace el ensamble de accionador/retorno; consulte a un centro de servicio autorizado
	La longitud del material y del sujetador es una aplicación demasiado rigurosa	Material o longitud del sujetador inapropiado
	Carga baja de batería o batería dañada	Cargue o reemplace la batería
	Escombros en la pieza de punta	Limpie la pieza de punta
	Desechos en el cargador	Limpie el cargador
	Cargador desgastado	Reemplace el cargador; consulte a un centro de servicio autorizado
	Resorte de palanca de empuje desgastado o dañado	Reemplace el cargador; consulte a un centro de servicio autorizado





## DEWALT BATTERY AND CHARGER SYSTEMS

**Chargers/Charge Time (Minutes) . Chargeurs/Durée de charge (Minutes) .  
Cargadores de baterías/Tiempo de carga (Minutos)**

Battery Cat #	Output Voltage	120 Volts														12 Volts			
		DC9000	DC9310	DC9320	DC8095	DCB102	DCB103	DCB104	DCB107	DCB112	DCB113	DCB114	DCB115	DCB116	DCB118	DCB132	DCB119	DW0249	DCB412
DCB609	20/60	X	X	X	X	135	135	75	432	270	230	X	135	X	75	135	X	X	X
DCB606	20/60	X	X	X	X	100	100	60	272	170	140	X	90	X	60	90	X	X	X
DCB404	40	X	X	X	X	X	X	X	X	X	X	90	X	30	X	X	X	X	130
DCB406	40	X	X	X	X	X	X	X	X	X	X	130	X	45	X	X	X	X	190
DCB407	40	X	X	X	X	X	X	X	X	X	X	170	X	60	X	X	X	X	235
DC9360	36	45	X	X	X	X	X	X	X	X	X	X	X	X	X	X	X	X	X
DCB361	36	45	X	X	X	X	X	X	X	X	X	X	X	X	X	X	X	X	X
DC9280	28	60	X	X	X	X	X	X	X	X	X	X	X	X	X	X	X	X	X
DW0242	24	X	X	X	X	X	X	X	X	X	X	X	X	X	X	X	X	60	X
DCB200	20	X	X	X	X	60	60	45/30**	140	90	67	X	45	X	45/30**	45	90	X	X
DCB201	20	X	X	X	X	30	30	22	70	45	35	X	22	X	22	22	45	X	X
DCB203	20	X	X	X	X	35	35	30	90	60	45	X	30	X	30	30	60	X	X
DCB203BT*	20	X	X	X	X	35	35	30	90	60	45	X	30	X	30	30	60	X	X
DCB204	20	X	X	X	X	70	70	60/40**	185	120	90	X	60	X	60/40**	60	120	X	X
DCB205	20	X	X	X	X	95	95	75/47**	240	150	112	X	75	X	75/47**	75	150	X	X
DCB205BT*	20	X	X	X	X	95	95	75	240	150	112	X	75	X	75	75	150	X	X
DCB206	20	X	X	X	X	100	100	60	272	170	140	X	90	X	60	90	X	X	X
DCB207	20	X	X	X	X	30	30	22	60	40	30	X	22	X	22	22	X	X	X
DCB230	20	X	X	X	X	60	60	45	140	90	67	X	45	X	45	45	90	X	X
DC9182	18	X	40	40	X	X	40	X	X	X	X	X	X	X	X	X	X	40	X
DCB120	12	X	X	X	X	30	30	20	60	45	35	X	20	X	X	X	45	X	X
DCB127	12	X	X	X	X	35	35	30	90	60	50	X	30	X	X	X	60	X	X
DCB080	8	X	X	X	60	X	X	X	X	X	X	X	X	X	X	X	X	X	X

\*BT - Bluetooth® **NOTE:** The Bluetooth® word mark and logos are registered trademarks owned by the Bluetooth®, SIG, Inc. and any use of such marks by DEWALT is under license. Other trademarks and trade names are those of their respective owners.

\*\*Battery Datecode 201536 or later.

"X" Indicates that the battery pack is not compatible with that specific charger. All charge times are approximate. Actual charge time may vary. Read the instruction manual for more specific information.

"X" indique que le bloc-piles n'est pas compatible avec ce chargeur. Les durées de charge sont approximatives; la durée de charge réelle peut varier. Lire le manuel d'utilisation pour obtenir des renseignements plus précis.

Una "X" indica que el paquete de baterías no es compatible con ese determinado cargador. El tiempo de duración de carga es aproximado; la duración de carga real puede variar. Lea el manual de instrucciones para obtener información más precisa.

\* Maximum initial battery voltage (measured without a workload) is 20, 60 or 120 volts. Nominal voltage is 18, 54 or 108. (120V Max\* is based on using 2 DEWALT 60V Max\* lithium-ion batteries combined.)

\* La tension initiale maximum du bloc-piles (mesurée à vide) est de 20, 60 ou 120 volts. La tension nominale est de 18, 54 ou 108. (120 V max\* se base sur l'utilisation combinée de 2 blocs-piles au lithium ion DEWALT de 60 V max\*.)

\* El máximo voltaje inicial de la batería (medido sin carga de trabajo) es 20, 60 o 120 voltios. El voltaje nominal es de 18, 54 o 108. (120 V Máx\* se basan en el uso de 2 baterías de iones de litio DEWALT de 60 V Máx\* combinadas.)

DEWALT Industrial Tool Co., 701 East Joppa Road, Towson, MD 21286  
(AUG18) Part No. N546533 DCN662 Copyright © 2018 DEWALT

The following are trademarks for one or more DEWALT power tools: the yellow and black color scheme, the "D" shaped air intake grill, the array of pyramids on the handgrip, the kit box configuration, and the array of lozenge-shaped humps on the surface of the tool.