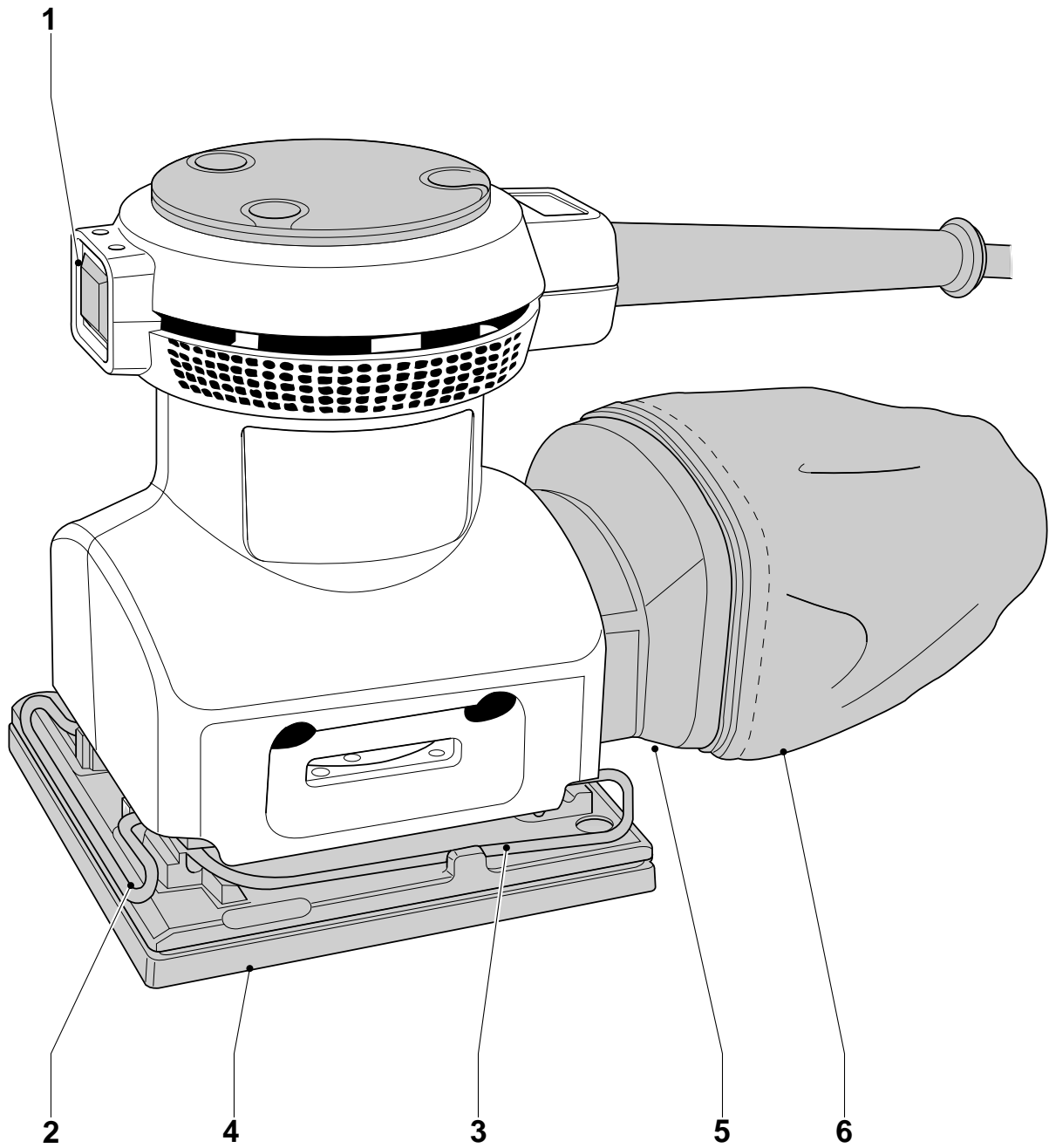

DEWALT®

DW411



A

1/4 SHEET SANDER DW411

Congratulations!

You have chosen a DeWALT Power Tool. Years of experience, thorough product development and innovation make DeWALT one of the most reliable partners for professional Power Tool users.

Table of contents

Technical data	en - 1
Declaration of conformity	en - 1
Safety instructions	en - 2
Package contents	en - 3
Description	en - 3
Electrical safety	en - 3
Mains plug replacement (U.K. & Ireland only)	en - 3
Using an extension cable	en - 4
Assembly and adjustment	en - 4
Instructions for use	en - 4
Maintenance	en - 5
Guarantee	en - 5

Technical data

	DW411	
Voltage	V	230
(U.K. & Ireland only)	V	115
Power input	W	170
Orbit diameter	mm	1.5
Pad dimensions	mm	115 x 110
Oscillations	min ⁻¹	13,500
Dust extraction		dustbag
Weight	kg	1.2

Fuses:

Europe	230 V tools	10 Amperes, mains
U.K. & Ireland	240 V tools	13 Amperes, in plugs
	115 V tools (< 1500 W)	15 Amperes, mains

The following symbols are used throughout this manual:



Denotes risk of personal injury, loss of life or damage to the tool in case of non-observance of the instructions in this manual.



Denotes risk of electric shock.



Fire hazard.

Declaration of conformity



DW411

DeWALT declares that these Power Tools have been designed in compliance with: 89/392/EEC, 89/336/EEC, 73/23/EEC, prEN 50144, EN 55014.

Level of sound pressure according to 86/188/EEC & 89/392/EEC, measured according to prEN 50144:

		DW411
L _{PA}	(sound pressure) dB(A)*	77.8
L _{WA}	(acoustic power) dB(A)	91

* at the operator's ear



Take appropriate measures for the protection of hearing if the sound pressure of 85 dB(A) is exceeded.

Radio and TV suppression in compliance with 76/889/EEC & 82/499/EEC.

Weighted root mean square acceleration value according to prEN 50144:

		DW411
		0.58 m/s ²

European Director
Product Planning & Development
David Wilson

DeWALT, Idstein, Germany

Safety instructions

When using Power Tools, always observe the safety regulations applicable in your country to reduce the risk of fire, electric shock and personal injury. Read the following safety instructions before attempting to operate this product. Keep these instructions in a safe place!

General

1 Keep work area clean

Cluttered areas and benches can cause accidents.

2 Consider work area environment

Do not expose Power Tools to humidity. Keep work area well lit. Do not use Power Tools in the presence of inflammable liquids or gases.

3 Guard against electric shock

Prevent body contact with earthed surfaces (e.g. pipes, radiators, cookers and refrigerators). For use under extreme conditions (e.g. high humidity, when metal swarf is being produced, etc.) electric safety can be improved by inserting an isolating transformer or a (FI) earth-leakage circuit-breaker.

4 Keep children away

Do not let children come into contact with the tool or extension cord. Keep all people away from the work area.

5 Extension cords for outdoor use

When the tool is used outdoors, always use extension cords intended for outdoor use and marked accordingly.

6 Store idle tools

When not in use, Power Tools must be stored in a dry place and locked up securely, out of reach of children.

7 Dress properly

Do not wear loose clothing or jewellery. They can be caught in moving parts. Preferably wear rubber gloves and non-slip footwear when working outdoors. Wear protective hair covering to keep long hair out of the way.

8 Wear safety goggles

Also use a face or dust mask in case the operations produce dust or flying particles.

9 Beware of maximum sound pressure

Take appropriate measures for the protection of hearing if the sound pressure of 85 dB(A) is exceeded.

10 Secure workpiece

Use clamps or a vice to hold the workpiece. It is safer and it frees both hands to operate the tool.

11 Do not overreach

Keep proper footing and balance at all times.

12 Avoid unintentional starting

Do not carry the plugged-in tool with a finger on the switch. Be sure that the switch is released when plugging in.

13 Stay alert

Watch what you are doing. Use common sense. Do not operate the tool when you are tired.

14 Disconnect tool

Shut off power and wait for the tool to come to a complete standstill before leaving it unattended. Unplug the tool when not in use, before servicing or changing accessories.

15 Remove adjusting keys and wrenches

Always check that adjusting keys and wrenches are removed from the tool before operating the tool.

16 Use appropriate tool

The intended use is laid down in this instruction manual. Do not force small tools or attachments to do the job of a heavy-duty tool. The tool will do the job better and safer at the rate for which it was intended.

Warning! The use of any accessory or attachment or performance of any operation with this tool, other than those recommended in this instruction manual may present a risk of personal injury.

17 Do not abuse cord

Never carry the tool by its cord or pull it to disconnect from the socket. Keep the cord away from heat, oil and sharp edges.

18 Maintain tools with care

Keep the tools in good condition and clean for better and safer performance. Follow the instructions for maintenance and changing accessories. Inspect the tool cords at regular intervals and, if damaged, have them repaired by an authorized DeWALT repair agent. Inspect the extension cords periodically and replace them if damaged. Keep all controls dry, clean and free from oil and grease.

19 Check for damaged parts

Before using the tool, carefully check it for damage to ensure that it will operate properly and perform its intended function.

Using an extension cable

If an extension cable is required, use an approved triple-core extension cable suitable for the power input of this tool (see technical data). The minimum conductor size is 1.5 mm².

When using a cable reel, always unwind the cable completely.

Also refer to the table below.

Conductor size (mm ²)		Cable rating (Amperes)	
0.75		6	
1.00		10	
1.50		15	
2.50		20	
4.00		25	

		Cable length (m)					
		7.5	15	25	30	45	60
Voltage	Amperes	Cable rating (Amperes)					
115	0 - 2.0	6	6	6	6	6	10
	2.1 - 3.4	6	6	6	6	15	15
	3.5 - 5.0	6	6	10	15	20	20
	5.1 - 7.0	10	10	15	20	20	25
	7.1 - 12.0	15	15	20	25	25	-
220/240	12.1 - 20.0	20	20	25	-	-	-
	0 - 2.0	6	6	6	6	6	6
	2.1 - 3.4	6	6	6	6	6	6
	3.5 - 5.0	6	6	6	6	10	15
	5.1 - 7.0	10	10	10	10	15	15
12.1 - 20.0	7.1 - 12.0	15	15	15	15	20	20
	12.1 - 20.0	20	20	20	20	25	-

Assembly and adjustment



Prior to assembly and adjustment always unplug the tool.

Fitting sanding sheets (fig. B, C & D)

Your DeWALT 1/4 Sheet Sander is designed to use 1/4 sanding sheets (115 x 140 mm).

- Soften the sanding sheet by rubbing its non-abrasive side over the edge of a worktop (fig. B).
- Unhook both sanding sheet clamp springs (3) as shown (fig. C).
- Slide the sanding sheet under the sanding sheet clamp (2) (fig. D).
- Hook the corresponding sanding paper clamp spring (3) inward and down.
- Stretch the sanding paper firmly over the sanding pad (4) and repeat for the other clamp.

Fitting the dustbag (fig. E)

- Check that the hatch (7) is open. If not, lift the notch (8) upward.
- Place the dustbag (6) over the flange (9).
- If no dustbag is used (e.g. when sanding metal), close the hatch (7).



Since woodworking with a sander produces dust, always install a dustbag designed in compliance with the applicable Directives regarding dust emission. Proper dust extraction will only be achieved with perforated abrasive.

Instructions for use



- Always observe the safety instructions and applicable regulations.
- Make sure all materials to be sanded are well secured.
- Apply only a gentle pressure to the workpiece. Excessive pressure does not improve the sanding effect, but only results in an increased load on the machine and causes the sanding sheet to tear.

Using the hole perforation jig (fig. F)

- Screw the hole perforation jig (10) to a workbench using the two holes provided for this purpose.
- Fit a sanding sheet as described above.
- Align the hole perforation jig (10) with the pad (4), using the four tabs (11).
- Press the jig firmly against the pad to pierce the holes.

It is also possible to press the hole perforation jig on the sander base as shown.

Sanding

- Start with the coarsest grit size.
- Move the tool in long sweeping strokes.
- Check your work at short intervals.



Fire hazard! Do not sand magnesium!

Check for misalignment and seizure of moving parts, breakage of parts and any other conditions that may affect its operation. Have damaged guards or other defective parts repaired or replaced as instructed. Do not use the tool if the switch is defective. Have the switch replaced by an authorized DeWALT repair agent.

20 Have your tool repaired by an authorized DeWALT repair agent

This Power Tool is in accordance with the relevant safety regulations. To avoid danger, electric appliances must only be repaired by qualified technicians.

Sanding paint

Observe the applicable regulations for sanding paint. Pay special attention to the following:

- 1 Take special care when sanding paint which is possibly lead based:
 - Do not let children or pregnant women enter the work area.
 - All persons entering the work area should wear a mask specially designed for protection against lead paint dust and fumes.
 - Do not eat, drink or smoke in the work area.
- 2 Dispose of dust particles and any other removal debris safely.

Package contents

The package contains:

- 1 1/4 Sheet Sander
- 1 Hole perforation jig
- 1 Dustbag
- 1 Set of sanding sheets
- 1 Instruction manual
- 1 Exploded drawing
- 1 Registration card

- Check for damage to the tool, parts or accessories which may have occurred during transport.
- Take the time to thoroughly read and understand this manual prior to operation.

Description (fig. A)

Your DeWALT 1/4 sander has been designed for professional sanding of wood, woodwork and plastics.

- 1 ON/OFF-switch
- 2 Sanding sheet clamps

- 3 Sanding sheet clamp springs
- 4 Sanding pad
- 5 Dustbag adaptor
- 6 Dustbag

Electrical safety

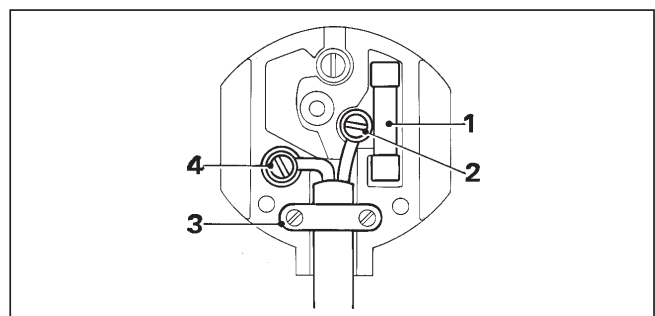
The electric motor has been designed for one voltage only. Always check that the power supply corresponds to the voltage on the rating plate.



Your DeWALT tool is double insulated in accordance with prEN 50144; therefore no earth wire is required.

Mains plug replacement (U.K. & Ireland only)

- Should your mains plug need replacing and you are competent to do this, proceed as instructed below. If you are in doubt, contact an authorized DeWALT repair agent or a qualified electrician.
- Cut off the plug and dispose of it safely; a plug with bared copper conductors is dangerous if engaged in a live socket outlet.
- Only fit 13 Amperes BS1363A approved plugs fitted with the correctly rated fuse (1).
- The cable wire colours, or a letter, will be marked at the connection points of most good quality plugs. Attach the wires to their respective points in the plug (see below). Brown is for Live (L) (2) and Blue is for Neutral (N) (4).
- Before replacing the top cover of the mains plug ensure that the cable restraint (3) is holding the outer sheath of the cable firmly and that the two leads are correctly fixed at the terminal screws.



Never use a light socket. Never connect the live (L) or neutral (N) wires to the earth pin marked E or \perp .

For 115 V tools, use plugs to BS4343 standard.

Switching ON and OFF (fig. A)

Switch the tool on using the ON/OFF-switch (1).

I = ON. The tool now works continuously.

O = OFF.



- Never switch OFF the tool when under full load.
- Always switch OFF the tool when work is finished and before unplugging.

Consult your dealer for further information on the appropriate accessories.

Maintenance

Your DeWALT Power Tool has been designed to operate over a long period of time with a minimum of maintenance. Continuous satisfactory operation depends upon proper tool care and regular cleaning.

**Lubrication**

Your Power Tool requires no additional lubrication.

**Cleaning**

Keep the ventilation slots clear and regularly clean the housing with a soft cloth.

**Unwanted tools and the environment**

Take your tool to an authorized DeWALT repair agent where it will be disposed of in an environmentally safe way.

GUARANTEE**• 30 DAY NO RISK SATISFACTION GUARANTEE •**

If you are not completely satisfied with the performance of your DeWALT tool, simply return it within 30 days, complete as purchased, to a participating Dealer, or an authorized DeWALT repair agent, for a full refund or exchange. Proof of purchase must be produced.

• ONE YEAR FREE SERVICE CONTRACT •

If you need maintenance or service for your DeWALT tool, in the twelve months following purchase, it will be undertaken free of charge at an authorized DeWALT repair agent. Proof of purchase must be produced. Includes labour and spare parts for Power Tools. Excludes accessories.

• ONE YEAR FULL WARRANTY •

If your DeWALT product becomes defective due to faulty materials or workmanship within 12 months from the date of purchase, we guarantee to replace all defective parts free of charge or, at our discretion, replace the unit free of charge provided that:

- The product has not been misused.
- Repairs have not been attempted by unauthorized persons.
- Proof of purchase date is produced.

This guarantee is offered as an extra benefit and is additional to consumers statutory rights.

For the location of your nearest authorized DeWALT repair agent, please use the appropriate telephone number on the back of this manual.